

# SUMMING JUNCTION BOXES NEMA 4X (IP66) ENCLOSURE

## Summing Junction Boxes for 2, 3, or 4 Load Cells

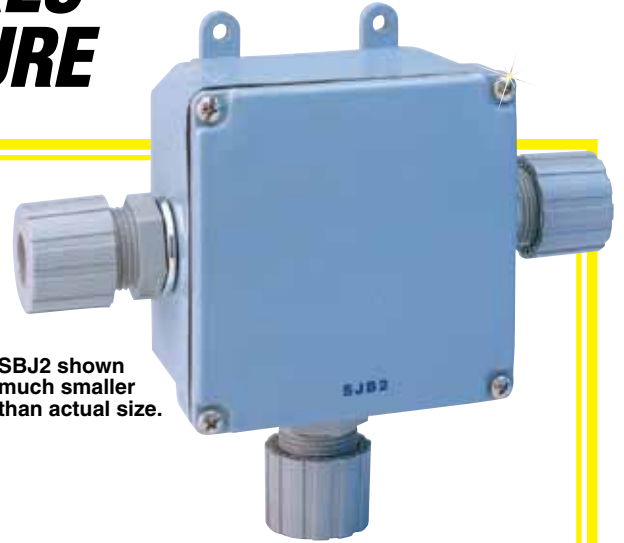
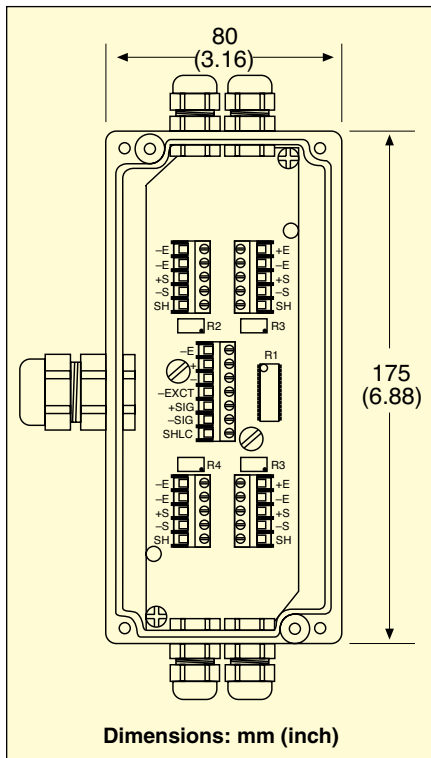
1 Newton = 0.2248 lb  
1 daNewton = 10 Newtons  
1 lb = 454 g  
1 t = 1000 kg = 2204 lb

## SBJ Series



- ✓ NEMA 4X (IP66) Enclosure
- ✓ Heavy-Duty Case for Industrial Applications
- ✓ Models for 2, 3, or 4 Load Cell Installations

The SBJ Series summing junction box electronically sums the outputs of bridge-type load cells to form a single output equal to the sum of the loads on each load cell.



SBJ2 shown much smaller than actual size.



SBJ4 shown much smaller than actual size.

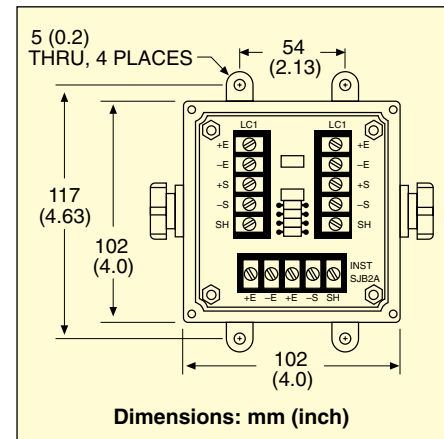
Potentiometers in series with the bridge excitation are provided to match the outputs of the load cell. It is commonly used in industrial scale, bin, tank, hopper, and platform applications. The load cell should be the same capacity as the summing junction box and have output interchangeability of better than 3%.

### SPECIFICATIONS

**Case:** NEMA 4X (IP66)

**Feedthroughs:** Compression type for wire up to 6.35 mm (0.25") diameter

**Span:** ±3% adjustment



**To Order Visit [omega.com/sbj2](http://omega.com/sbj2) for Pricing and Details**

CAPACITY	MODEL NO.	DESCRIPTION
2	SBJ2	Sums 2 load cells
3 or 4	SBJ4	Sums up to 4 load cells

**Ordering Examples:** *SBJ2*, NEMA 4X (IP66) summing junction box for 2 load cells.  
*SBJ4*, NEMA 4X (IP66) summing junction box for up to 4 load cells.