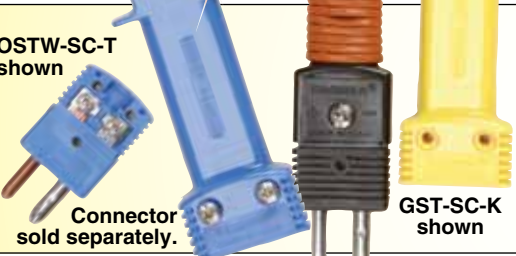


Connector Accessories

For Standard Size Connectors




OSTW-SC-T shown
Connector sold separately.

GST-SC-K shown

Wire Caddy (Spool Cap)

Model No.	Compatible Connectors
OSTW-SC-(*)	USTW, OSTW, HSTW
GST-SC-(*)	GST

**Insert thermocouple calibration: J, K, T, E, R/S, N or U (Uncompensated)*




DX-BRLK dual element tube clamp.

X-BRLK tube clamp.

Tube Clamps (Single and Dual Element)

Model No.	Compatible Connectors
X-BRLK-(*)	USTW, OSTW, OGP, GST, HSTW, HGST, OTP
DX-BRLK-(*)	USTW, OSTW, OGP, HSTW

**Insert probe diameter: "116" for 1/16", "18" for 1/8", "316" for 3/16", or "14" for 1/4"*
Ordering Examples: X-BRLK-14, tube clamp for 1/4" probes.
 DX-BRLK-14, dual tube clamp for 1/4" probes.

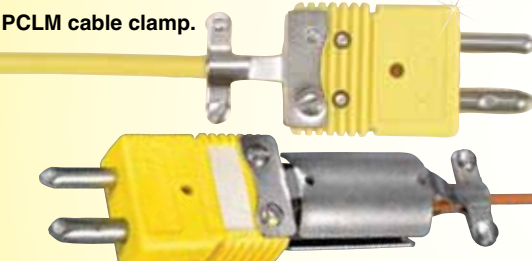


SSRT-316-10

Standard Strain Relief Tubing

Model No.	Compatible Connectors
SSRT-316-(*)	OST, OSTW, HSTW, USTW, OGP, OTP, GST, HGST, DTC
SSRT-18-(*)	
SSRT-332-(*)	

**Insert pkg quantity: Select from 5, 10, 50, 100*
Center number denotes tubing inside diameter: "316" for 3/16", "18" for 1/8", "332" for 3/32"



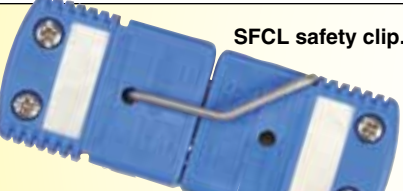
PCLM cable clamp.

Cable Clamps

Model No.	Compatible Connectors
PCLM	USTW, OSTW, OGP, HSTW, OTP
PCLM-DTC	DTC
PCLM-GST	GST, HGST

Ferrite Core Cable Clamps

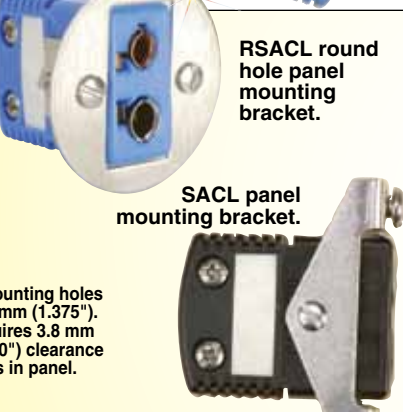
Model No.	Compatible Connectors
PCLM-FT	OSTW, HSTW, OGP, HGST, GST, OTP



SFCL safety clip.

Safety Clips

Model No.	Compatible Connectors
SFCL	USTW, OSTW, OGP, GST, HSTW, HGST



RSACL round hole panel mounting bracket.

SACL panel mounting bracket.

⌀ Mounting holes 34.9 mm (1.375"). Requires 3.8 mm (0.150") clearance holes in panel.

Round Hole Panel Mounting Brackets

Model No.	Compatible Connectors
RSACL	USTW, OSTW, OGP, GST, HSTW, HGST

Panel Mounting Brackets

Model No.	Compatible Connectors
SACL	USTW, OSTW, OGP, GST, HSTW, HGST
TACL	OTP

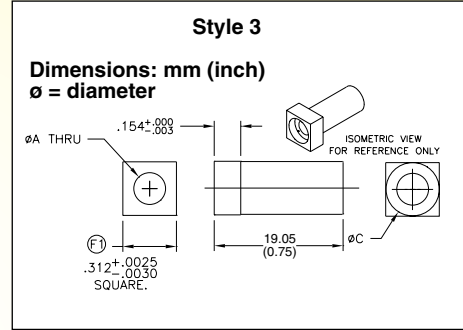
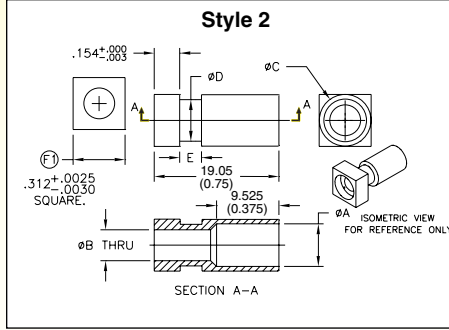
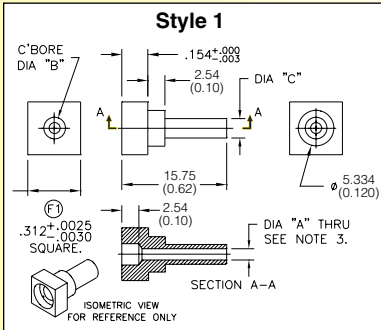
Connector Accessories



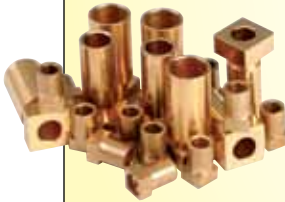
Rubber Boot – SRB
 Rated to 95°C (203°F)
 SRBS Rated to 230°C (446°F)

Rubber Boots

Model No.	Compatible Connectors
SRB	USTW, OSTW, OGP, HSTW
SRBS	USTW, OSTW, OGP, HSTW



Crimp Style Brass or SS Bushing also available



Crimp Style Bushing

To Order

Model Number	Style Type	Dia A-ID mm (inch)	Dia B mm (inch)	Dia C-OD mm (inch)	Dia D mm (inch)	Dia E mm (inch)	Compatible Connectors
(*)B-OST-CR1.5MM-(**)	1	1.57 (.062)	3.25 (.128)	2.94 (.116)	N/A	N/A	OST, OSTW, HST, HSTW, GST, UST, USTW, HFSTW, OGP, OTP, NOX, NHX, NHHX, UHX
(*)B-OST-CR062-(**)	1	1.65 (.065)	3.25 (.128)	2.94 (.116)	N/A	N/A	
(*)B-OST-CR2.0MM-(**)	1	2.05 (.081)	3.25 (.128)	2.94 (.116)	N/A	N/A	
(*)B-OST-CR093-(**)	1	2.43 (.096)	3.25 (.128)	4.69 (.185)	N/A	N/A	
(*)B-OST-CR3.0MM-(**)	1	3.09 (.122)	3.96 (.156)	4.69 (.185)	N/A	N/A	
(*)B-OST-CR125-(**)	1	3.25 (.128)	3.96 (.156)	4.69 (.185)	N/A	N/A	
(*)B-OST-CR4.5MM-(**)	2	4.59 (.181)	4.36 (.172)	6.35 (.250)	5.33 (.210)	1.77 (.070)	OST, OSTW, HST, HSTW, GST, UST, OGP, HFSTW, USTW, OTP, NOX, NHX, NHHX, UHX
(*)B-OST-CR188-(**)	2	4.85 (.191)	4.36 (.172)	6.35 (.250)	5.33 (.210)	1.77 (.070)	
(*)B-OST-CR5.5MM-(**)	2	5.58 (.220)	4.36 (.172)	7.87 (.310)	5.33 (.210)	1.77 (.070)	
(*)B-OST-CR6.0MM-(**)	2	6.09 (.240)	4.36 (.172)	7.87 (.310)	5.33 (.210)	1.77 (.070)	
(*)B-OST-CR250-(**)	2	6.42 (.253)	4.36 (.172)	7.87 (.310)	5.33 (.210)	1.77 (.070)	
(*)B-DTC-CR250-(**)	3	6.09 (.240)	N/A	7.87 (.310)	N/A	N/A	DTC
(*)B-DST-CR6.0MM-(**)	3	6.42 (.253)	N/A	7.87 (.310)	N/A	N/A	

(*) Insert "B" for brass or "S" for stainless steel.

(**) Insert quantity: "10" or "100".

CR number indicates compatible probe diameter.

To order crimping tool for use with these bushings, specify model number BB-OST-CT.

Ordering Example: SB-OST-CR250-100, pkg of 100 crimp style stainless steel bushing for 0.250" diameter probe.

Accessories for Cable Clamp Caps

Use with OSTW Standard Size Ultimate Connectors

Clamp Grommets Silicone 0.25" Long



Model No.	Inside Dia mm (inch)	Outside Dia mm (inch)	Length mm (inch)	Compatible Connectors
SSRT-CC-018-(*)	3.18 (0.125)	4.77 (0.188)	6.35 (0.250)	OSTW-CC male or female
SSRT-CC-332-(*)	2.38 (0.094)			
SSRT-CC-116-(*)	1.59 (0.063)			
SSRT-CC-132-(*)	0.79 (0.032)			

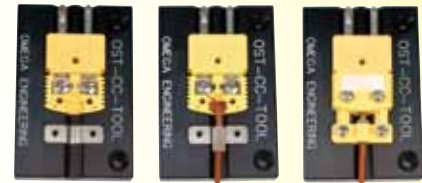
*Insert pkg quantity: select from 5, 10, 50, 100.

Center number denotes grommet inside diameter for 0.75" long strain relief tubing

OST-CC-TOOL shown smaller than actual size.



All assembly completed from top side.
 Prep wire: Straight strip no loop necessary
 1st: Load back plate and connector body
 2nd: Terminate wire
 3rd: Tighten 4 captive screws



Assembly Tool

Model No.	Compatible Connectors
OST-CC-TOOL	OST male or female
SMP-CC-TOOL	SMP male or female