



## FS-02

### FS Series Flow Sensor

#### Features

- ◆ Rugged high grade Noryl
- ◆ Minimum pressure drop
- ◆ Operates from a small head of water
- ◆ Vertical mount +/-15
- ◆ Suitable for water and air flow switching

#### Comments

- ◆ 3/4" BSP male and female threads
- ◆ Suitable for hot and cold potable water
- ◆ Reed Switch Reliability (UL File E153493)
- ◆ Meets UL 94-HB flammability rating
- ◆ Easy installation

#### Applications

- ◆ Mains water control
- ◆ Power shower
- ◆ Central heating systems
- ◆ Circulation pump protection
- ◆ Cooling systems

## FS-02

FS Series | Flow Sensor

### Material

Housing Material	Noryl
Shuttle Material	Noryl
Contact Material	Ruthenium
Operating Temperature °C	-30 to 85
Medium	Water
Housing Colour	Black

### Mechanical Specifications

Shock	50g for 11mS duration
Vibration	35g up to 500Hz
Maximum Pressure	10 Bar @ 20
IP	IP65
Switch On Flow Rate L/min	1.0

### Switching

Switch Action (Reed Switch)	SPST
Max Switching Voltage VDC	200
Max Switching Voltage VAC	250
Max Switching Current Amps	1
Max Switching Load Watt	40
Operate Mode	N/O, close with Flow
Contact Form	A

### Cable

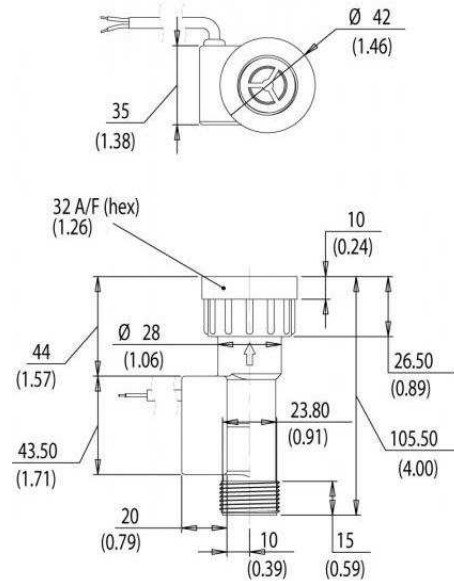
Cable Length	1 x 1.0M double insulated
Connection Type	Stripped Cables
Cable Type	0.5MM2 BS6500 PVC
Cable Colour	Grey outer Blue/Brown inner

### Mounting

Fitting	3/4" BSP Thread
Fitment	In Line
Mounting	Vertical, flow upwards

### Technical Drawing

FS-02



### NORTH AMERICA & EUROPE

MEAS Deutschland GmbH  
a TE Connectivity Company  
Phone: +49-800-522-6752 (option 2)  
Email: [customercare.hmpt@te.com](mailto:customercare.hmpt@te.com)

### ASIA

Measurement Specialties (China), Ltd.,  
a TE Connectivity Company  
Phone: +86-400-820-6015  
Email: [customercare.shzn@te.com](mailto:customercare.shzn@te.com)

### TE.com/sensorsolutions

Measurement Specialties, Inc., a TE Connectivity company.

Measurement Specialties, TE Connectivity, TE Connectivity (logo) and EVERY CONNECTION COUNTS are trademarks. All other logos, products and/or company names referred to herein might be trademarks of their respective owners.

The information given herein, including drawings, illustrations and schematics which are intended for illustration purposes only, is believed to be reliable. However, TE Connectivity makes no warranties as to its accuracy or completeness and disclaims any liability in connection with its use. TE Connectivity's obligations shall only be as set forth in TE Connectivity's Standard Terms and Conditions of Sale for this product and in no case will TE Connectivity be liable for any incidental, indirect or consequential damages arising out of the sale, resale, use or misuse of the product. Users of TE Connectivity products should make their own evaluation to determine the suitability of each such product for the specific application.

© 2015 TE Connectivity Ltd. family of companies All Rights Reserved.