



DATA SHEET	52104580
SKINDICHT® ME-M ATEX	valid from: 15.1.2016

The SKINDICHT® ME-M ATEX enlargers with guide groove for O-Ring (recess) enable the use of cable gland with outer threads that are larger than the existing threaded holes on machinery, devices and housings.



Components:

Enlarger	Brass, nickel-plated
O-ring	NBR

Technical features:

External thread	M12x1,5 up to M50x1,5 acc. to EN 60423
Internal thread	M16x1,5 up to M63x1,5 acc. to EN 60423
Temperature range	-30 °C up to + 90 °C
Protection class	IP66 and IP68 acc. to EN 60529

Category:	Equipment Group II Category 2G / 1D
------------------	--

Approvals:



EC Type Examination Certification	IBExU 03 ATEX 1010
IECEx Certificate	IECEx IBE 13.0028x

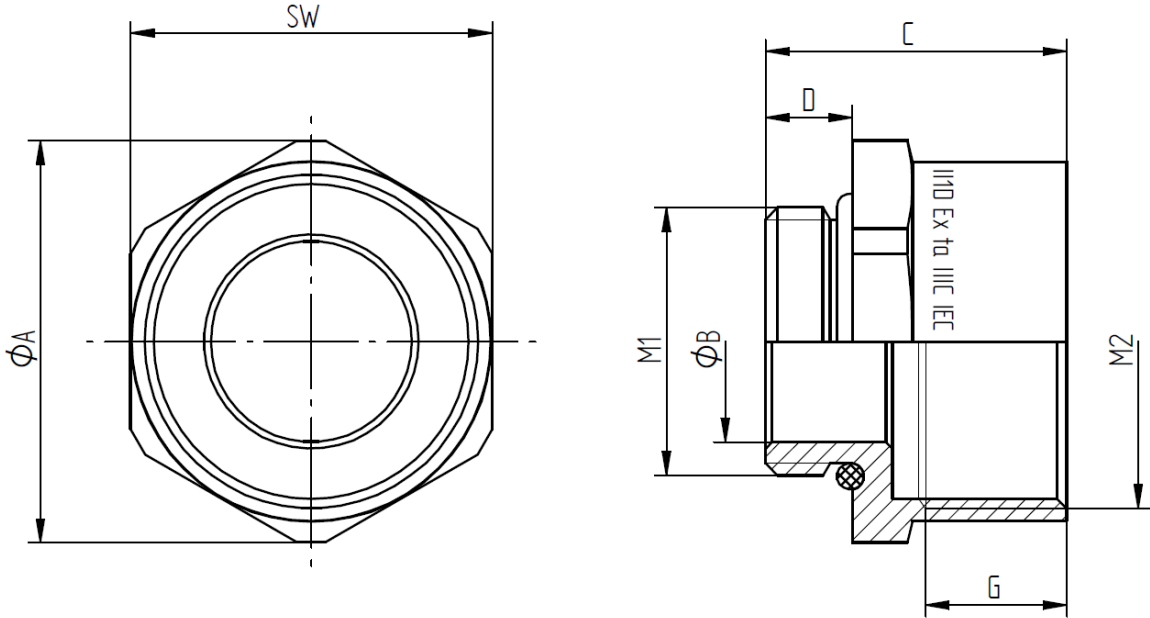
Norm references:



For more information please see our current catalogue.

elaborated by: PDP: T. Dvoulety	Document: DB52104580_3EN	page 1 of 2
------------------------------------	--------------------------	-------------

DATA SHEET	52104580
SKINDICHT® ME-M ATEX	valid from: 15.1.2016



External thread M1	Internal thread M2	SW [mm]	Ø A [mm]	Ø B [mm]	C [mm]	D [mm]	G [mm]	Article No.
12x1,5	16x1,5	18	20	8,5	17	5	8	52104580
16x1,5	20x1,5	22	24	12	20	6	9	52104581
20x1,5	25x1,5	27	30	15	22,5	6,5	10	52104582
25x1,5	32x1,5	34	37,7	20	21,5	6,5	10,5	52104583
32x1,5	40x1,5	42	46	26	23	7	10,5	52104584
40x1,5	50x1,5	54	59	34	26	8	12	52104585
50x1,5	63x1,5	67	73	43,5	32	9	16,5	52104586