

Cord retaining strain relief screw-on mounting



new

C8

70° C



Description

- Screw-on from front side
- Protection against accidental disconnection of power supply cord

References

Alternative: version for snap-in mounting [2578 retaining kit](#)
 Component 1: Inlet [2576](#)
 Component 2: [Retainer](#)
 Component 3: Power cord with country specific line connector

Weblinks

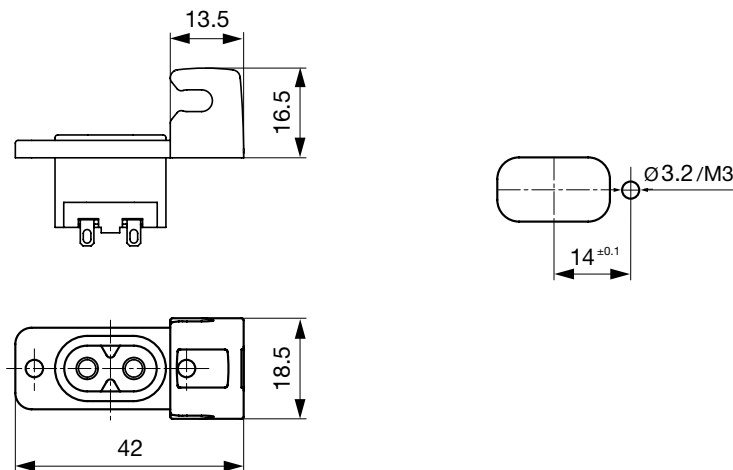
[pdf datasheet](#), [html-datasheet](#), [General Product Information](#), [RoHS](#), [CHINA-RoHS](#), [REACH](#), [Distributor-Stock-Check](#), [Accessories](#), [Detailed request for product](#)

Technical Data

Ratings IEC	2.5 A / 250 VAC; 50 Hz
Ratings UL/CSA	7 A / 250 VAC; 60 Hz
IP-Protection	from front side IP 20 acc. to IEC 60529
Insulation cover	Suitable for appliances with protection class II acc. to IEC 61140

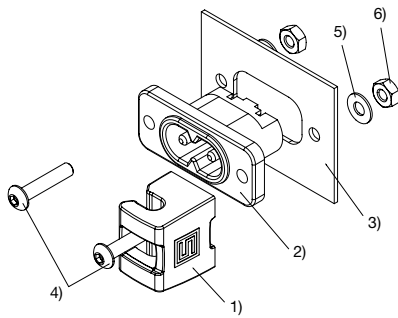
Detailed information on product approvals, code requirements, usage instructions and detailed test conditions can be looked up in [General Product Information](#)

Dimensions



Retaining Kit

Assembly Instructions



- 1) Retainer
- 2) Appliance Inlet
- 3) Panel
- 4) Screws (M3)
- 5) Washer
- 6) Nut (M3)

Screws, nuts and washers are not included in the kit

Variants kit

Description	Appliance inlet	Cable	Country	Length [m]	Retainer	Order Number
2576 Retaining Kit US 2m			USA	2.0		6160.0108
2576 Retaining Kit US 4m			USA	4.0		6160.0109
2576 Retaining Kit EU 2m			EU	2.0		6160.0110
2576 Retaining Kit EU 4m			EU	4.0		6160.0111
2576 Retaining Kit US 2m			USA	2.0		6160.0112
2576 Retaining Kit US 4m			USA	4.0		6160.0113
2576 Retaining Kit EU 2m			EU	2.0		6160.0114
2576 Retaining Kit EU 4m			EU	4.0		6160.0115
2576 Retaining Kit US 2m			USA	2.0		6160.0116
2576 Retaining Kit US 4m			USA	4.0		6160.0117
2576 Retaining Kit EU 2m			EU	2.0		6160.0118
2576 Retaining Kit EU 4m			EU	4.0		6160.0119
2576 Retaining Kit US 2m			USA	2.0		6160.0120
2576 Retaining Kit US 4m			USA	4.0		6160.0121
2576 Retaining Kit EU 2m			EU	2.0		6160.0122
2576 Retaining Kit EU 4m			EU	4.0		6160.0123

Other appliance inlet on request

Availability for all products can be searched real-time: <http://www.schurter.com/en/Stock-Check/Stock-Check-SCHURTER>

Packaging unit 100 Pcs