

## Fuse Carriage with Handle for OGN, OGN-SMD

new



2.5W/10A



### Description

- Better access to fuse-links on PCB's

### Applications

- Printed circuit boards with tightly packed components. Colour coding allows for quick and safe replacement of fuses.

### References

Mating adapter to [OGN](#); [OGN-SMD](#)

### Weblinks

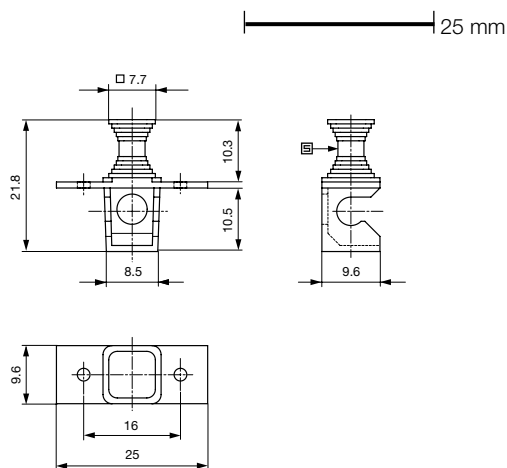
[pdf datasheet](#), [html-datasheet](#), [General Product Information](#), [Packaging details](#), [Approvals](#), [CE declaration of conformity](#), [RoHS](#), [CHINA-RoHS](#), [REACH](#), [Distributor-Stock-Check](#), [Detailed request for product](#)

### Technical Data

Fuse-Link	5 x 20 mm	Contact Resistance	< mΩ at 20 mV
Rated Power Acceptance IEC	2.5W / 10A @ Ta 23 °C		
Admissible Ambient Air Temp.	-40 °C to 85 °C		
Material: Cover	Thermoplastic black / white UL 94V-0		
Storage Conditions	0 °C to 60 °C, max. 70% r.h.		

Detailed information on product approvals, code requirements, usage instructions and detailed test conditions can be looked up in [General Product Information](#)

### Dimension



### All Variants

Color	Order Number
black	0853.1201
white	0853.1202

Most Popular.

---

Color	Order Number
-------	--------------

Availability for all products can be searched real-time:<http://www.schurter.com/en/Stock-Check/Stock-Check-SCHURTER>

---

<b>Packaging Unit</b>	Bulk (100 pcs.)
-----------------------	-----------------

---