







# PA80 – PA81

Interlocking Barrier  
Terminal block.  
PA 81: end plate for  
Modular PA 80.



## TECHNICAL DATA

	IEC		American Standards	
	A	B	C	
<b>Dimensions</b> mm (inches)	29 (1.14)	38 (1.50)	11 (0.43)	
<b>Versions</b>	F/F: with tab-to-tab insert , V/F: with screw-to-tab insert , V/F.F: with screw to tab-tab insert , PA81: side closing module			
<b>Ratings</b>	450V – 20A		600V – 20A	
<b>Wire size</b>	2.5 sqmm		22 ÷ 12AWG	
<b>Working Temperature</b>	-5 ÷ 110 °C (short time 140 °C)		23 ÷ 221 °F	
<b>Nominal Temperature</b> (Testing temperature)	T110 (140°C)		-	
<b>Plastic Material</b>	Polyamide PA6.6 natural colour, UL94-V2, GWT960 °C			
<b>Metal Parts</b>	M4 zinc plated steel screw; 6.3 x 0.8 zinc plated steel tab insert; other parts made in zinc plated steel			
<b>Accessories</b>	PA262			

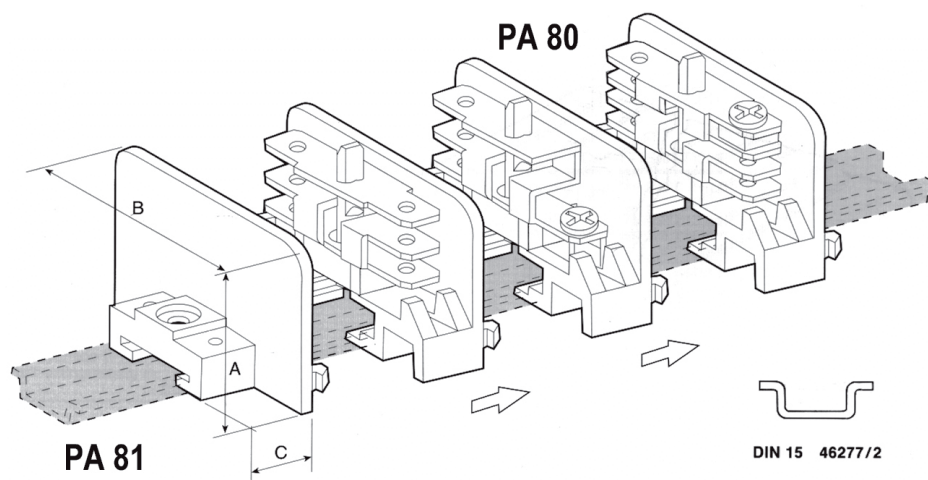
Approvals	File Nr.	Ratings (sqmm/AWG – V – A – T)	Standard References
	-CA02.00725	2.5 sqmm – 450V – 20A - T110	EN60998-1; EN60998-2-1; EN61210
	121240	2.5 sqmm – 450V – 20A(screw) 15A (Tab) - T110	DIN EN60998-1; DIN EN60998-2-1; DIN EN61210 (VDE 0613)
	E76048 vol. 1 sec. 3	22 ÷ 12AWG - 600V - 20A - 105 °C	UL 1059
	LR 40455-10	22 ÷ 12AWG - 600V - 20A	CSA C22-2 N.158-1987; E.C.N 584B





# PA80 – PA81

**DIMENSIONAL  
DRAWING**



## PACKAGING

Type	P-N	Pack.	Dim. Pack. (LxHxP)	Weight (Kg)
PA 80 F/F	300770	1000	40x20x40	10
PA 80 V/F	300771	1000	40x20x40	10
PA 80 V/F.F	300772	1000	40x20x40	10
PA 81	970445	1000	40x20x40	10
PA 262 ACC.	971302+16	(1)		(2)

(1) On request.      (2) According to (1)



