

Cord retaining strain relief snap-in mounting



C8  
  
70° C



### Description

- Screw-on from front side
- Protection against accidental disconnection of power supply cord

### References

Alternative: version for screw mounting [2576 retaining kit](#)  
 Component 1: Inlet [2578](#)  
 Component 2: [Retainer](#)  
 Component 3: Power cord with country specific line connector

### Weblinks

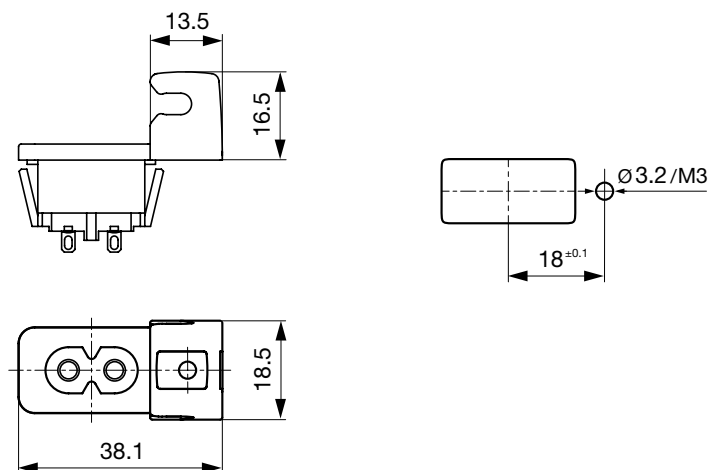
[pdf datasheet](#), [html-datasheet](#), [General Product Information](#), [RoHS](#), [CHINA-RoHS](#), [REACH](#), [Distributor-Stock-Check](#), [Accessories](#), [Detailed request for product](#)

### Technical Data

Ratings IEC	2.5 A / 250 VAC; 50 Hz
Ratings UL/CSA	7 A / 250 VAC; 60 Hz
IP-Protection	from front side IP 20 acc. to IEC 60529
Insulation cover	Suitable for appliances with protection class II acc. to IEC 61140

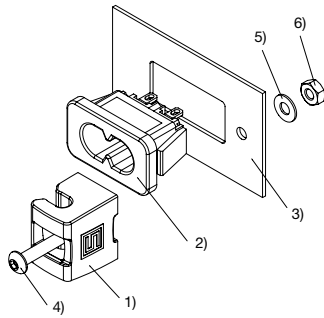
Detailed information on product approvals, code requirements, usage instructions and detailed test conditions can be looked up in [General Product Information](#)

### Dimensions



Retaining Kit

## Assembly Instructions



- 1) Retainer
- 2) Appliance Inlet
- 3) Panel
- 4) Screws (M3)
- 5) Washer
- 6) Nut (M3)

Screws, nuts and washers are not included in the kit

## Variants kit

Description	Appliance inlet	Cable	Country	Length [m]	Retainer	Order Number
2578 Retaining Kit US 2m			USA	2.0		6160.0124
2578 Retaining Kit US 4m			USA	4.0		6160.0125
2578 Retaining Kit EU 2m			EU	2.0		6160.0126
2578 Retaining Kit EU 4m			EU	4.0		6160.0127
2578 Retaining Kit US 2m			USA	2.0		6160.0128
2578 Retaining Kit US 4m			USA	4.0		6160.0129
2578 Retaining Kit EU 2m			EU	2.0		6160.0130
2578 Retaining Kit EU 4m			EU	4.0		6160.0131
2578 Retaining Kit US 2m			USA	2.0		6160.0132
2578 Retaining Kit US 4m			USA	4.0		6160.0133
2578 Retaining Kit EU 2m			EU	2.0		6160.0134
2578 Retaining Kit EU 4m			EU	4.0		6160.0135
2578 Retaining Kit US 2m			USA	2.0		6160.0136
2578 Retaining Kit US 4m			USA	4.0		6160.0137
2578 Retaining Kit EU 2m			EU	2.0		6160.0138
2578 Retaining Kit EU 4m			EU	4.0		6160.0139

Other appliance inlet on request

Availability for all products can be searched real-time: <http://www.schurter.com/en/Stock-Check/Stock-Check-SCHURTER>

**Packaging unit** 100 Pcs