



Cord retaining strain relief



4700.00XX



0888.0019 / 0888.0020 / 0888.0021



**Description**

- Front Panel :  
Screw-on from front side
- 1 Function :  
Protection against accidental disconnection of the plug

**Weblinks**

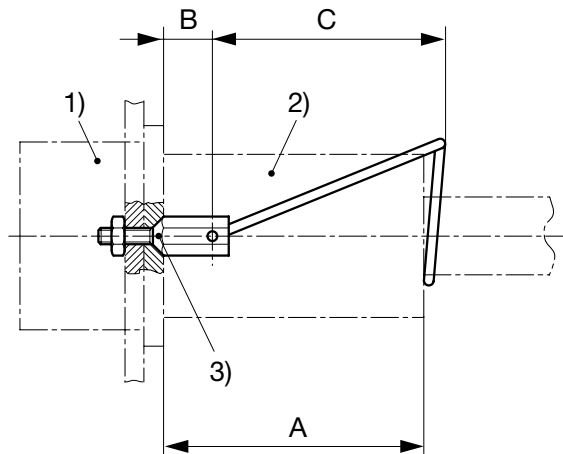
[pdf datasheet](#), [html-datasheet](#), [General Product Information](#), [RoHS](#), [CHINA-RoHS](#), [REACH](#), [Distributor-Stock-Check](#), [Accessories](#), [Detailed request for product](#)

For protection against loosening or accidental disconnection of the plug connector. Can also be mounted later. The correct kit type respectively the corresponding Order No. for each combination of fixed and free components is shown in the selection chart. Horizontal flanged components are secured to the panel using the kit supplied. Vertical flanged or snap-in components require additional drilling for the cord retaining kit as shown in the diagrams below.

The kits with the part number 4700.00XX consist of:

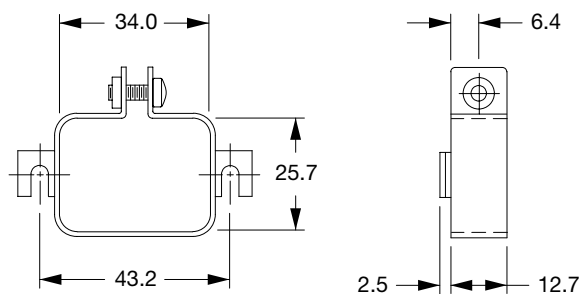
- 1 Stainless steel retaining clip
- 2 Nickel plated brass pillars
- 2 Nickel plated brass nuts
- 2 Nickel plated beryllium copper crinkle washers

**Dimension**

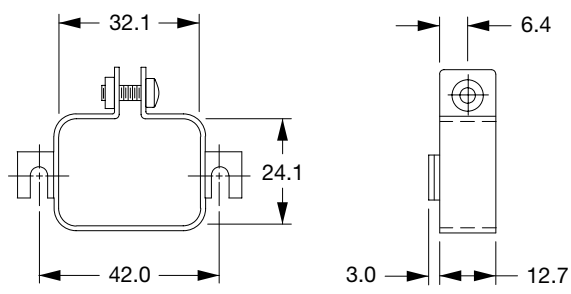


(Details see overview table and table of variants)

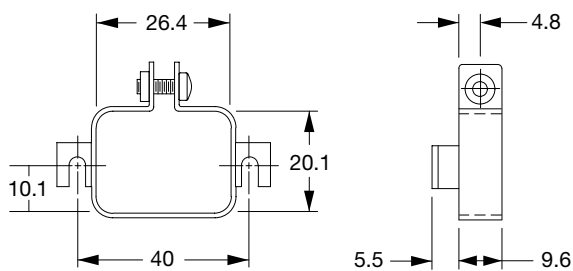
- 1) Inlet/Outlet
- 2) Plug/Connector
- 3) Design



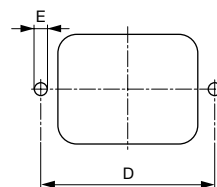
0888.0019



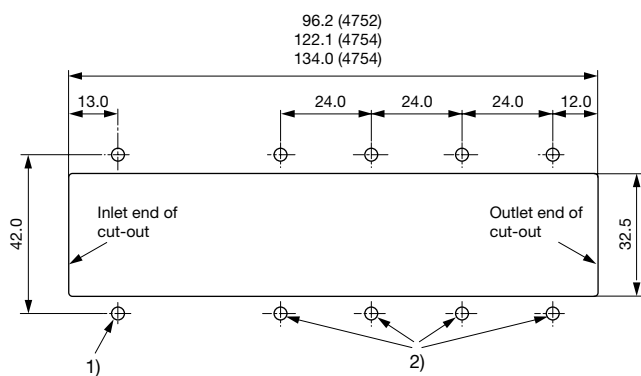
0888.0020



0888.0021



(Details see overview table and table of variants)  
Holes according inlet/outlet dimensions centered to respectively inlet/outlet



(Details see overview table)

- 1) Additional drilling for Kit H, when used with 4754 and 4758
- 2) Additional drilling for Kit E, when used with 4752, 4754 and 4758





All Variants

Kit	Type	B [mm]	C [mm]	D [mm]	E [mm]	Order Number
-	Flat head	5	36	36	3.4	0888.0005
-	Flat head	11.5	36	36	3.4	0888.0016
-	Countersunk	3	35	36	3.4	0888.0001
-	Countersunk	3.5	36	36	3.4	0888.0004
-	Countersunk	9	36	36	3.4	0888.0015
-	Countersunk	6.5	36	36	3.4	0888.0017
A	Flat head	8	45	40	3.4	4700.0001
B	Countersunk	8	45	36	3.4	4700.0002
C	Countersunk	6.5	45	40	3.4	4700.0003
D	Countersunk	2.5	40	40	3.4	4700.0004
E	Flat head	4.5	40	42	3.4	4700.0005
F	Countersunk	2.5	45	40	3.4	4700.0006
G	Flat head	4.5	45	40	3.4	4700.0007
H	Flat head	5.5	45	39	3.4	4700.0008
J	Countersunk	6.5	37	45	3.4	4700.0009
K	Countersunk	5	37	42	3.4	4700.0010
L	Flat head	5.5	37	42	3.4	4700.0011
M	Flat head	5.5	40	42	3.4	4700.0012

■ Most Popular.

Availability for all products can be searched real-time:<http://www.schurter.com/en/Stock-Check/Stock-Check-SCHURTER>

**Packaging unit** 50 Pcs