

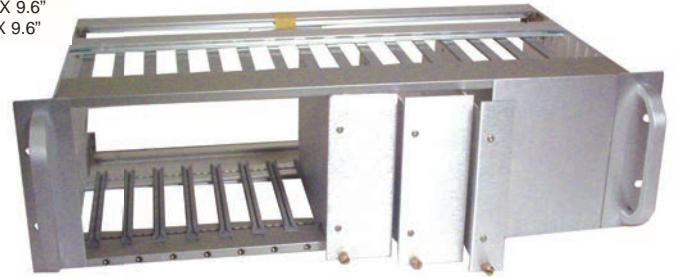
CCM13S/90 - shown fully assembled includes dress panels and handles

Universal Card-Mount System

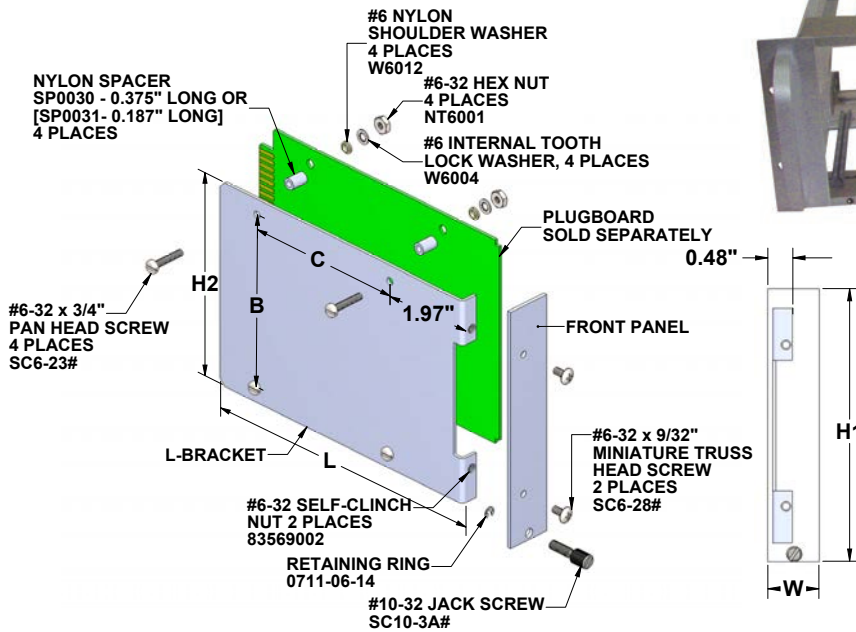
- Racks sold fully assembled only
- 3U, 4U and 6U Versions
- All racks include 16 slots on 1.0" centers
- Modules sold separately unassembled, easy to customize
- Modules of different width all in one rack, 1.0" to 4.0"
- Rear "T"-Struts included for mounting of connectors or backplanes (Vector P/N HD34)
- Aluminum plate slides into card guide
- Rack handles and dress panels included

Assembled Card Mount Subracks

Part No.	Rack outer Dimensions	# of Card Guides	Versions	Card Size
CCM13S/90	3U (5.25" X 19"W X 9"D)	16 pair on 1" centers	Assembled	4.5" X 6.5"
CCM14S/90	3U (5.25" X 19"W X 12"D)	16 pair on 1" centers	Assembled	4.5" X 9.6"
CCM15S/90	4U (7.00" X 19"W X 12"D)	16 pair on 1" centers	Assembled	6.25" X 9.6"
CCM18S/90	6U (10.5" X 19"W X 15.75"D)	16 pair on 1" centers	Assembled	9.0" X 9.6"



CCM13S/90 - shown with CM45A65-1 and CM45A65-2



Card Mount Module Exploded View

Card Mount Modules

Part No.	Height		Width		Length		Module Rack
	H1	H2	W	L	B	C	
CM45A65-1	5.234"	4.5"	0.98"	6.57"	3.8"	3.6"	CCM13S
CM45A65-2	5.234"	4.5"	1.98"	6.57"	3.8"	3.6"	CCM13S
CM45A65-4	5.234"	4.5"	3.98"	6.57"	3.8"	3.6"	CCM13S
CM45B95-1	5.234"	4.5"	0.98"	9.57"	3.8"	6.6"	CCM14S
CM45B95-2	5.234"	4.5"	1.98"	9.57"	3.8"	6.6"	CCM14S
CM45B95-4	5.234"	4.5"	3.98"	9.57"	3.8"	6.6"	CCM14S
CM62F95-1	6.984"	6.25"	0.98"	9.57"	5.55"	6.6"	CCM15S
CM62F95-2	6.984"	6.25"	1.98"	9.57"	5.55"	6.6"	CCM15S
CM62F95-4	6.984"	6.25"	3.98"	9.57"	5.55"	6.6"	CCM15S
CM90F95-1	10.474"	9.75"	0.98"	9.57"	9.05"	6.6"	CCM18S
CM90F95-2	10.474"	9.75"	1.98"	9.57"	9.05"	6.6"	CCM18S
CM90F95-4	10.474"	9.75"	3.98"	9.57"	9.05"	6.6"	CCM18S



Card Mount Module Plugboard™ sold separately

EIA Subracks

