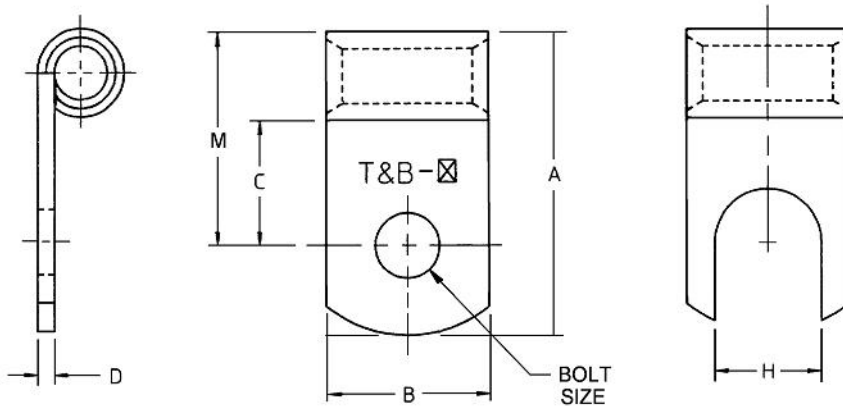




Sta-Kon



CAT. NO.	PKG QTY.	BOLT SIZE	A (NOM.)	B (MAX.)	C (NOM.)	D (NOM.)	M (NOM.)	H (MIN.)	WIRE RANGE	HAND TOOL
AB14-6A	100	#6	.55	.310	.220	.032	.39	-	22-14 AWG	ERG 4004
AB51	1,000									
AB14-8A	100	#8	.55	.310	.220	.032	.39	-		
AB52	1,000									
AB14-10A	100	#10	.55	.310	.220	.032	.39	-		
AB53	1,000									
C10-6A	-	#6	.66	.310	.250	.040	.48	-		
C51	500									
C10-8A	50	#8	.66	.310	.250	.040	.48	-	12-10 AWG	
C52	500									
C10-10A	50	#10	.66	.310	.250	.040	.48	-		
C53	500									
-	-	-	.66	.310	.250	.040	.48	.195		
C53F	500									

- MATERIAL: HIGH CONDUCTIVITY COPPER
- FINISH: ELECTRO TIN-PLATE
- BRAZED SEAM JOINT

GENERAL NOTES		 A Member of the ABB Group			
1. ALL DIMENSIONS ARE FOR REFERENCE ONLY. 2. DIMENSIONS IN BRACKETS [] ARE IN METRIC UNITS.					
REVISIONS		DESCRIPTION: STA-KON TERMINAL, FLAG STYLE NON-INSULATED			
**	SEE ERN (****) FOR APPROVAL SIGNATURES & RELEASE DATE. PROJECT NO: ****	ORIGINAL PROJECT NO / (ERN NO)	SHEET NO:	REV. NO:	DRAWING NO:
		TM400023 / (2016076)	1 OF 1	-	WSD-001360