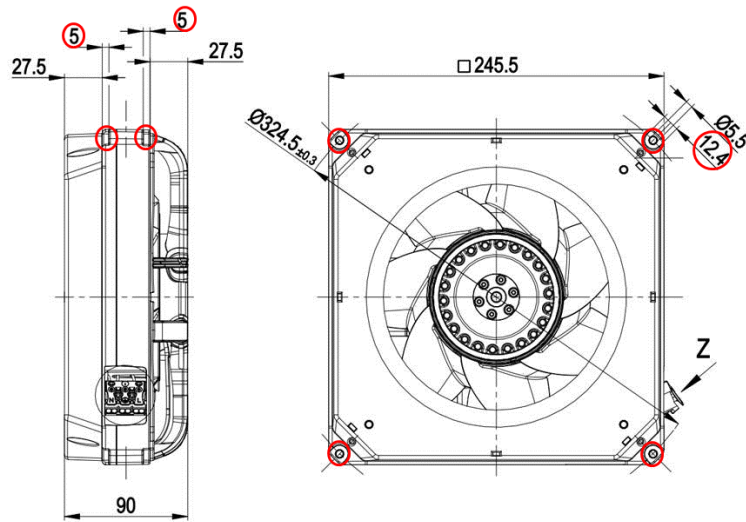




Distributor Product Change Notice

| | |
|---------------------------------|---|
| Date: 8/11/17 | Distribution List: ebm-papst Distributors |
| Overview: | Compact Diagonal Modules - Mounting holes formerly countersunk, now made flush with housing |
| Reason for Change: | To allow for a bigger / flatter contact surface for the mounting screws |
| Affected Part Number(s): | K2E200-AD08-02, K2E200-AD20-01, K3G200-AD21-01, K3G200-AD11-02 |
| Design Change Detail: | The current housing has countersunk areas around each of the mounting holes (8 total - 1 in each corner / 4 on each side of the module). These indentations around the mounting holes have been omitted, or "filled in," to allow for a bigger / flatter contact surface for the mounting screws (please see images on page 2). |
| Effective Date: | Original housing style no longer available; all orders will be fulfilled with the new housing style |
| Last Time Buy Deadline: | N/A |
| Pricing: | <100 - No change |
| | >100 - No change |
| PCN Author: | Jeannine Zenobi, Distributor Marketing Specialist |
| Attachments: | Images (Page 2) |
| Comments: | N/A |



Original Style – Countersunk



New Style - Flush



| | | |
|--------------------------------|---------------------------|-------------------------------|
| Form No: 1274 | Quality Record - No | Page 1 of 1 |
| Rev. – Orig. Released 08/28/14 | Retention Period – 1 year | Dept. Owner – Sales/Marketing |