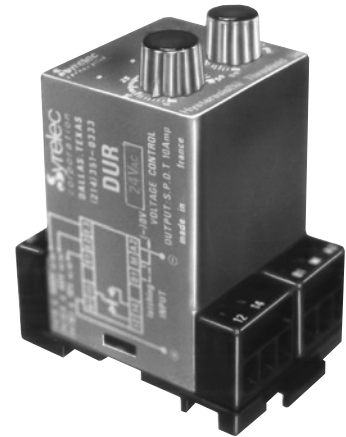


UR SERIES VOLTAGE CONTROL RELAY

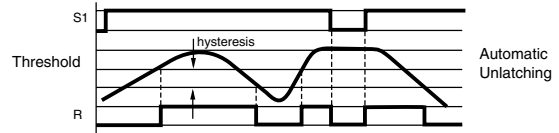
UL listed CSA recognized



- **AC or DC Voltage Control**
- **Manual or Automatic Operation**
- **Adjustable Threshold**
- **5 to 50% Hysteresis Range**
- **LED Relay Status Indicator**

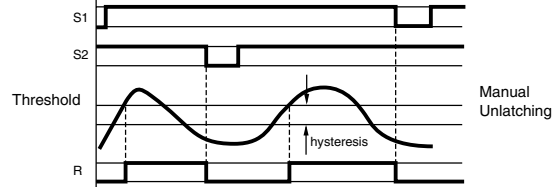
1. AC/DC voltage control without latching:

The output relay is energized when the voltage (AC peak voltage) exceeds the selected threshold. It de-energizes when the voltage falls below the hysteresis setting (5 to 50%) or when supply breaks. The hysteresis is controlled by a potentiometer and its selection does not change the chosen threshold.



2. AC/DC voltage control with latching:

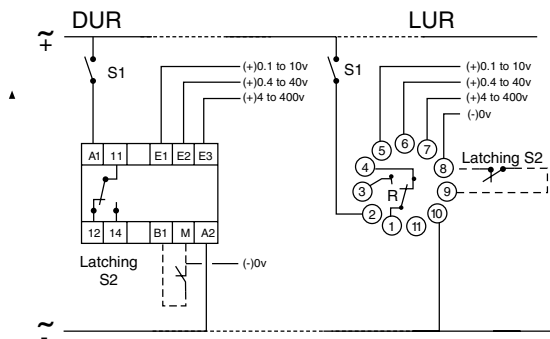
The output relay is energized when the voltage reaches the selected threshold and stays latched in this position. The contact between terminal B1 and M (or 8 or 9) should be opened or the input power of the device interrupted to reset.



SPECIFICATIONS:

| | | | |
|-----------------------------------|---|--------------------------------|---------------------------------|
| Input | 24 VDC, 24, 48, 110, 220 VAC | | |
| | ±15%, 50/60 Hz | | |
| Power consumption | 24 VAC: 1 VA | | |
| | 48 VAC: 1.2 VA | | |
| | 110 VAC: 3.5 VA | | |
| | 220 VAC: 7 VA | | |
| Control Range | Input Resistance | Acceptance load (input) | |
| AC or DC | | Permanent (max) | Less than 10ms peak max. |
| 0.1 to 10 V | 10 kΩ | 50 V | 100 V |
| 0.4 to 40 V | 40 kΩ | 100 V | 300 V |
| 4 to 400 V | 400 kΩ | 440 V | 750 V |
| Hysteresis selection | 5 to 50% of set point | | |
| Repeat accuracy | ±2% at a constant ambient | | |
| Output Relay | SPDT Relay | | |
| Contact material | AgCdO | | |
| Maximum loading | 10 A AC resistive 8 A DC inductive | | |
| Maximum switching voltage | 250 VAC | | 250 VDC |
| Relay maximum power rating | 2200 VA | | |
| Transient protection | 2500 volts | | 30 W |
| Mechanical life of relay | 30 x 10 ⁶ operations | | |
| Electrical life of relay | 2 x 10 ⁵ at 2400 VA resistive load | | |
| Repetition accuracy | ±0.5% at a constant ambient | | |
| Response time | 100 ms on make | | |
| | 200 ms on break | | |
| Operating temperature | -4°F to +140°F | | -20°C to +60°C |
| Weight | 7 oz. (200g) | | |

WIRING DIAGRAM:



ORDERING INFORMATION:



Products and specifications subject to change without notice.
Consult factory for application assistance.