

6

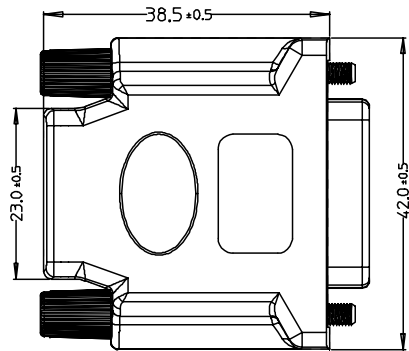
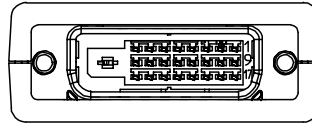
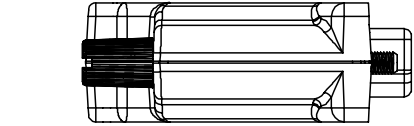
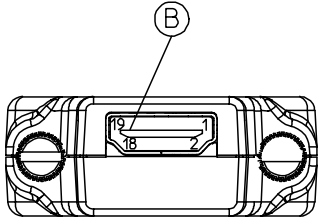
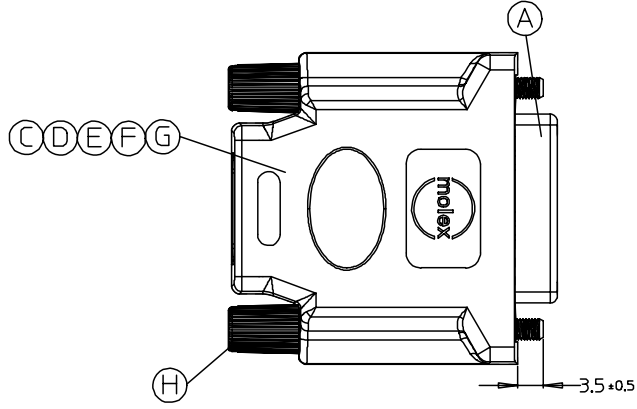
5

4

3

2

1



Notes:

- 1. DIELECTRIC STRENGTH: 300V AC
- 2. INSULATION RESISTANCE : 100M OHMS Min.
- 3. CONTACT RESISTANCE: 2 OHMS Max.
- 4. PCB IMPEDANCE: 100±15 OHMS
- 5. ABS COVER MOLDED WITH 887800141 WHITE RESIN.

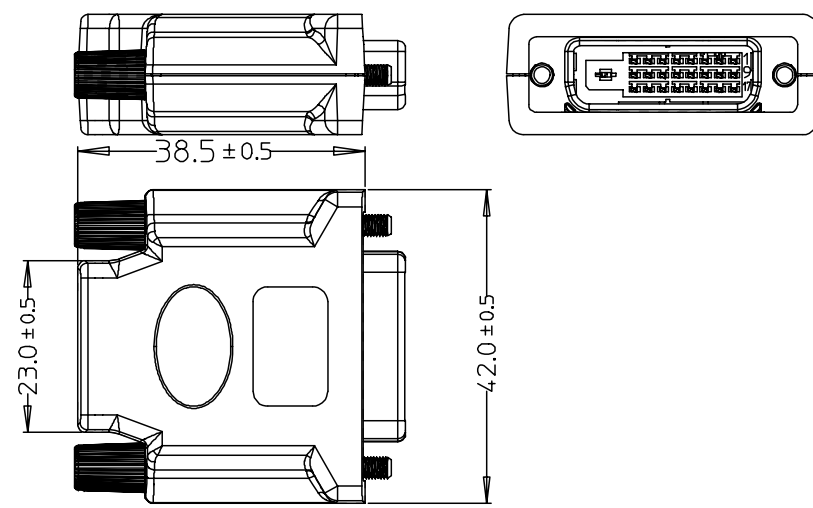
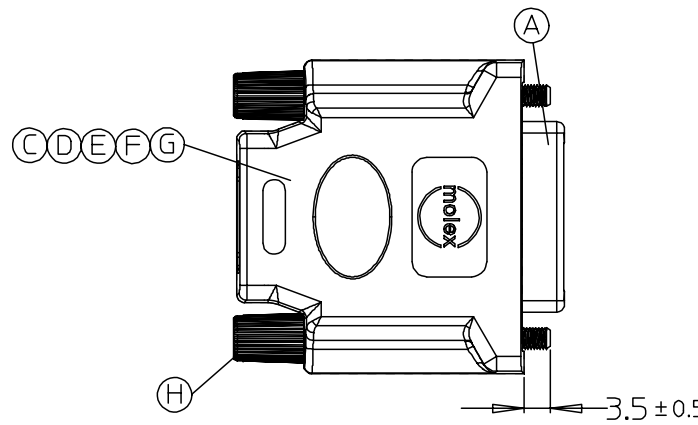
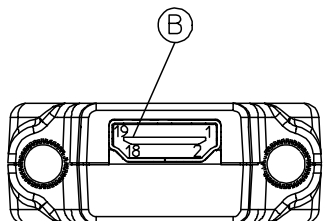
HDMI	DVI-D	Function
1	2	TMDS DATA2+
2	3	TMDS DATA2 SHIELD
3	1	TMDS DATA2-
4	10	TMDS DATA1+
5	11	TMDS DATA1 SHIELD
6	9	TMDS DATA1-
7	18	TMDS DATA0+
8	19	TMDS DATA0 SHIELD
9	17	TMDS DATA0-
10	23	TMDS CLOCK+
11	22	TMDS CLOCK SHIELD
12	24	TMDS CLOCK-
13	N.A	N.A
14	N.A	N.A
15	6	DDC CLOCK(SCL)
16	7	DDC DATA(SDA)
17	15	GROUND(+5V&DDC)
18	14	POWER +5V
19	16	HOT PLUG DETECT
SHIELD	SHIELD	GROUND(+5V&DDC)

ITEM	DESCRIPTION	USAGE
H	4-40 UNC SCREW	2
G	PCB	1
F	BOTTOM METAL CAN	1
E	TOP METAL CAN	1
D	ABS BOTTOM COVER	1
C	ABS TOP COVER	1
B	HDMI_F&PCB ASSY'	1
A	DVI-D CONN.	1

EC NO. DRWN: ANDY 04/06/14 CHK: APPR:	DESCRIPTION MAJOR ▼ = 0 CRITICAL ▼ = 0	GENERAL TOLERANCES: (UNLESS SPECIFIED)		SCALE N.S.T	DESIGN UNITS <input checked="" type="checkbox"/> mm <input type="checkbox"/> INCH	<input type="checkbox"/> mm <input type="checkbox"/> INCH <input checked="" type="checkbox"/> mm ONLY	THIRD ANGLE PROJECTION	SHT REV	REVISE ON CAD ONLY														
		<table border="1"> <thead> <tr> <th></th> <th>mm</th> <th>INCH</th> </tr> </thead> <tbody> <tr><td>4 PLACES</td><td>0.</td><td></td></tr> <tr><td>3 PLACES</td><td>0.</td><td></td></tr> <tr><td>2 PLACES</td><td>0.</td><td></td></tr> <tr><td>1 PLACE</td><td>0.5</td><td></td></tr> </tbody> </table>		mm	INCH	4 PLACES	0.		3 PLACES	0.		2 PLACES	0.		1 PLACE	0.5		DRAWN BY & DATE ANDY 04/04/01	CHECKED BY & DATE Teddy 04/04/01	APPROVED BY & DATE Boran 04/04/01	TITLE: HDMI(F) TO DVI-D(M) ADAPTER		MOLEX INCORPORATED
	mm	INCH																					
4 PLACES	0.																						
3 PLACES	0.																						
2 PLACES	0.																						
1 PLACE	0.5																						
A REV		ANGULAR: °	CAD FILENAME J6706-00.mi	MATERIAL NO. 88767-0600	DRAWING NO. SD-88767-001	THIS DRAWING CONTAINS INFORMATION THAT IS PROPRIETARY TO MOLEX INCORPORATED AND SHOULD NOT BE USED WITHOUT WRITTEN PERMISSION.		SIZE A4															

7 6 5 4 3 2 1

E  
D  
C  
B  
A



- Notes:
1. DIELECTRIC STRENGTH: 300V AC
  2. INSULATION RESISTANCE : 100M OHMS Min.
  3. CONTACT RESISTANCE: 2 OHMS Max.
  4. PCB IMPEDANCE: 100±15 OHMS
  5. THIS PRODUCT MUST MEET ROHS COMPLIANCE

HDMI	DVI-D	Function
1	2	TMDS DATA2+
2	3	TMDS DATA2 SHIELD
3	1	TMDS DATA2-
4	10	TMDS DATA1+
5	11	TMDS DATA1 SHIELD
6	9	TMDS DATA1-
7	18	TMDS DATA0+
8	19	TMDS DATA0 SHIELD
9	17	TMDS DATA0-
10	23	TMDS CLOCK+
11	22	TMDS CLOCK SHIELD
12	24	TMDS CLOCK-
13	N.A	N.A
14	N.A	N.A
15	6	DDC CLOCK(SCL)
16	7	DDC DATA(SDA)
17	15	GROUND(+5V&DDC)
18	14	POWER +5V
19	16	HOT PLUG DETECT
SHIELD	SHIELD	GROUND(+5V&DDC)

ITEM	DESCRIPTION	USAGE
H	4-40 UNC SCREW	2
G	PCB	1
F	BOTTOM METAL CAN	1
E	TOP METAL CAN	1
D	ABS BOTTOM COVER	1
C	ABS TOP COVER	1
B	HDMI_F&PCB ASSY'	1
A	DVI-D CONN.	1

ENTER DESCRIPTION EC NO: DG2006-0175 DRWN: JFZHENG CHKD: DQLUO APPR: DQLUO	2006/02/18 2006/02/20 2006/02/20	DESCRIPTION REV	QUALITY SYMBOLS ▽=0 ▽=0	GENERAL TOLERANCES (UNLESS SPECIFIED) <table border="1"> <thead> <tr> <th></th> <th>mm</th> <th>INCH</th> </tr> </thead> <tbody> <tr><td>4 PLACES</td><td>± ---</td><td>± ---</td></tr> <tr><td>3 PLACES</td><td>± ---</td><td>± ---</td></tr> <tr><td>2 PLACES</td><td>± ---</td><td>± ---</td></tr> <tr><td>1 PLACE</td><td>± ---</td><td>± ---</td></tr> </tbody> </table> ANGULAR ± ---°		mm	INCH	4 PLACES	± ---	± ---	3 PLACES	± ---	± ---	2 PLACES	± ---	± ---	1 PLACE	± ---	± ---	DIMENSION STYLE MM ONLY DRAWN BY: JFZHENG DATE: 2006/01/19 CHECKED BY: JFZHENG DATE: 2006/01/19 APPROVED BY: DQLUO DATE: 2006/01/19	SCALE --- DESIGN UNITS METRIC THIRD ANGLE PROJECTION	TITLE HDMI TO DVI-D ADAPTER
				mm	INCH																	
			4 PLACES	± ---	± ---																	
			3 PLACES	± ---	± ---																	
2 PLACES	± ---	± ---																				
1 PLACE	± ---	± ---																				
DRAFT WHERE APPLICABLE MUST REMAIN WITHIN DIMENSIONS		MATERIAL NO. 887670600	DOCUMENT NO. SD-88767-060	SHEET NO. 1 OF 1																		
SIZE A4		THIS DRAWING CONTAINS INFORMATION THAT IS PROPRIETARY TO MOLEX INCORPORATED AND SHOULD NOT BE USED WITHOUT WRITTEN PERMISSION																				
MOLEX INCORPORATED																						

6 5 4 3 2 1

7 6 5 4 3 2 1

E

D

C

B

A

E

D

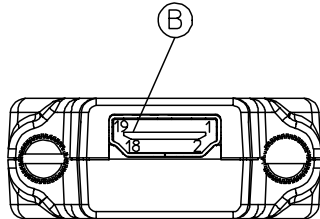
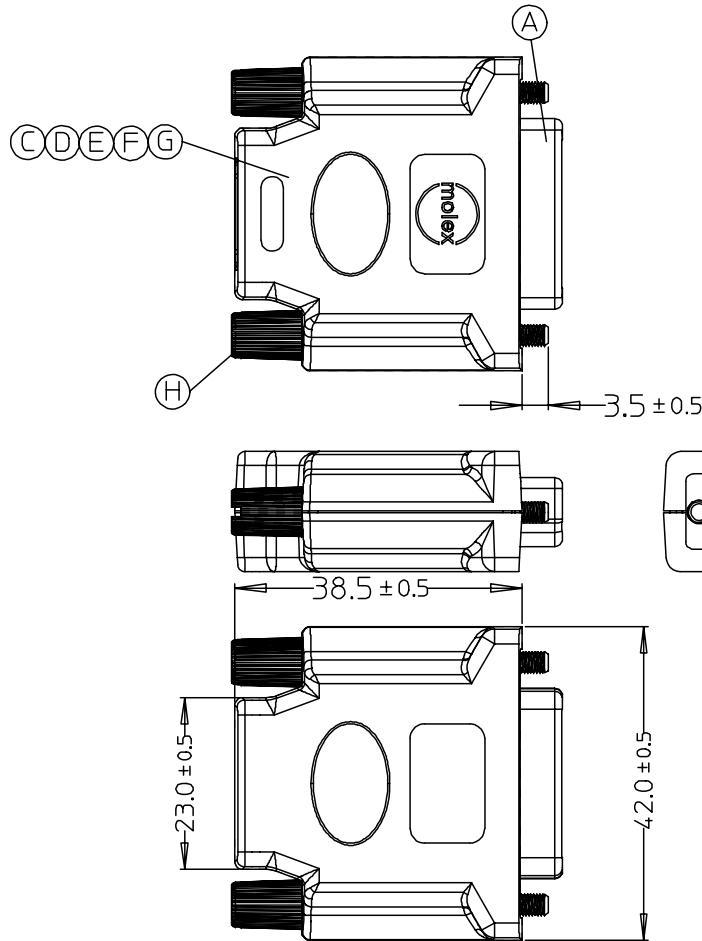
C

B

A

Notes:

1. DIELECTRIC STRENGTH: 300V AC
2. INSULATION RESISTANCE : 100M OHMS Min.
3. CONTACT RESISTANCE: 2 OHMS Max.
4. PCB IMPEDANCE: 100±15 OHMS
5. THIS PRODUCT MUST MEET ROHS COMPLIANCE



HDMI	DVI-D	Function
1	2	TMDS DATA2+
2	3	TMDS DATA2 SHIELD
3	1	TMDS DATA2-
4	10	TMDS DATA1+
5	11	TMDS DATA1 SHIELD
6	9	TMDS DATA1-
7	18	TMDS DATA0+
8	19	TMDS DATA0 SHIELD
9	17	TMDS DATA0-
10	23	TMDS CLOCK+
11	22	TMDS CLOCK SHIELD
12	24	TMDS CLOCK-
13	N.A	N.A
14	N.A	N.A
15	6	DDC CLOCK(SCL)
16	7	DDC DATA(SDA)
17	15	GROUND(+5V&DDC)
18	14	POWER +5V
19	16	HOT PLUG DETECT
SHIELD	SHIELD	GROUND(+5V&DDC)

ITEM	DESCRIPTION	USAGE
H	4-40 UNC SCREW	2
G	PCB	1
F	BOTTOM METAL CAN	1
E	TOP METAL CAN	1
D	ABS BOTTOM COVER	1
C	ABS TOP COVER	1
B	HDMI_F&PCB ASSY'	1
A	DVI-D CONN.	1

ENTER DESCRIPTION EC NO: DG2006-0144 DRWN: JFZHENG CHKD: JFZHENG APPR: DQLUO	2005/12/27 2005/12/30 2006/01/16	DESCRIPTION REV	QUALITY SYMBOLS ▽=0 ▽=0	GENERAL TOLERANCES (UNLESS SPECIFIED) <table border="1"> <thead> <tr> <th></th> <th>mm</th> <th>INCH</th> </tr> </thead> <tbody> <tr><td>4 PLACES</td><td>± ---</td><td>± ---</td></tr> <tr><td>3 PLACES</td><td>± ---</td><td>± ---</td></tr> <tr><td>2 PLACES</td><td>± ---</td><td>± ---</td></tr> <tr><td>1 PLACE</td><td>± ---</td><td>± ---</td></tr> </tbody> </table> ANGULAR ±1/2°		mm	INCH	4 PLACES	± ---	± ---	3 PLACES	± ---	± ---	2 PLACES	± ---	± ---	1 PLACE	± ---	± ---	DIMENSION STYLE MM ONLY DRAWN BY: JFZHENG DATE: 2005/12/27 CHECKED BY: JFZHENG DATE: 2005/12/27 APPROVED BY: DQLUO DATE: 2005/12/27	SCALE --- DESIGN UNITS METRIC THIRD ANGLE PROJECTION	TITLE HDMI TO DVI-D ADAPTER
				mm	INCH																	
			4 PLACES	± ---	± ---																	
			3 PLACES	± ---	± ---																	
2 PLACES	± ---	± ---																				
1 PLACE	± ---	± ---																				
DRAFT WHERE APPLICABLE MUST REMAIN WITHIN DIMENSIONS		MATERIAL NO. ENTER PART	DOCUMENT NO. SD-887670600	SHEET NO. 1 OF 00																		
SIZE A 4		THIS DRAWING CONTAINS INFORMATION THAT IS PROPRIETARY TO MOLEX INCORPORATED AND SHOULD NOT BE USED WITHOUT WRITTEN PERMISSION																				
ENTER DESCRIPTION EC NO: DG2006-0144 DRWN: JFZHENG CHKD: JFZHENG APPR: DQLUO		MOLEX INCORPORATED																				

6

5

4

3

2

1