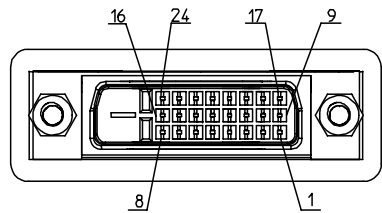
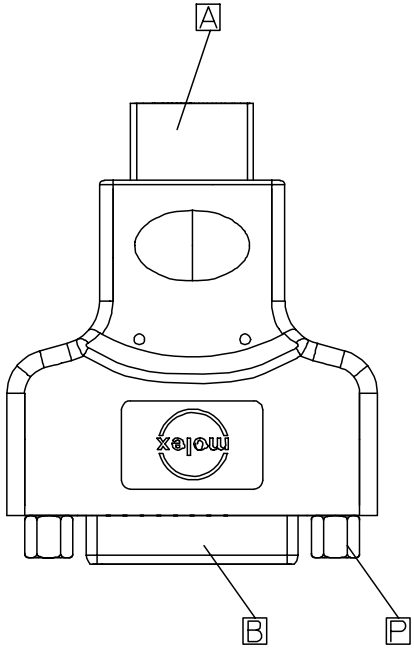
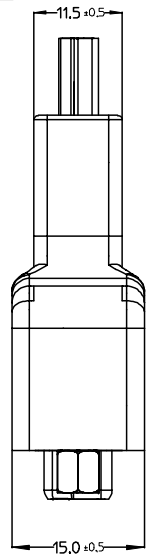
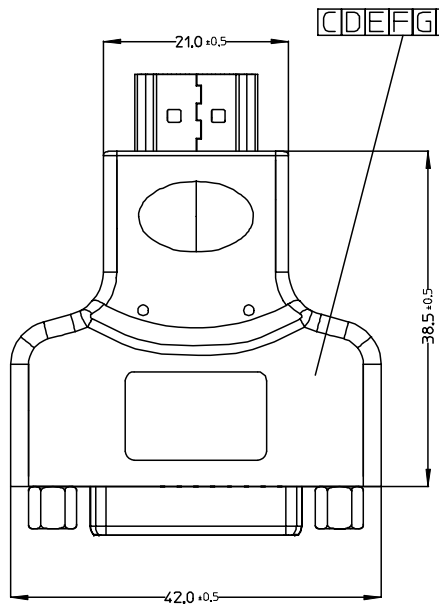
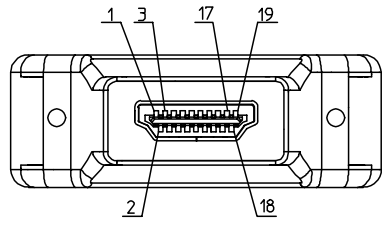


6 5 4 3 2 1



P	4-40 UNC NUT	2
N	UL&CSA 1061/#28 VIOLET	1
M	UL&CSA 1061/#28 RED	1
L	UL&CSA 1061/#28 YELLOW	1
K	UL&CSA 1061#28 ORANGE	1
J	UL&CSA 1061#28 WHITE	1
H	TMDS #28 RED	1
G	TMDS #28 BLACK	1
F	TMDS #28 BLUE	1
E	TMDS #28 BROWN	1
D	TOP METAL CAN	1
C	BOTTOM METAL CAN	1
B	DVI-D FEMALE	1
A	HDMI PLUG	1
ITEM	DESCRIPTION	USAGE

EC NO. A	DRWN: CHK: APPR:	DESCRIPTION REV	QUALITY SYMBOLS	GENERAL TOLERANCES: (UNLESS SPECIFIED)	SCALE N.S.T	DESIGN UNITS <input checked="" type="checkbox"/> mm <input type="checkbox"/> INCH	<input type="checkbox"/> mm <input type="checkbox"/> INCH <input checked="" type="checkbox"/> mm ONLY	THIRD ANGLE PROJECTION	SHT	REV		
			MAJOR ▽ = 0	4 PLACES	mm	INCH	DRAWN BY & DATE ANDY 04/04/01	TITLE: HDMI(M) TO DVI-D(F) ADAPTOR				
			CRITICAL ▽ = 0	3 PLACES			CHECKED BY & DATE Teddy 04/04/01	MOLEX INCORPORATED				
				2 PLACES			APPROVED BY & DATE Boran 04/04/01	CAD FILENAME J6420-00.MI	MATERIAL NO. 88764-2000	DRAWING NO. SD-88764-005	SHEET NO. 1 OF 2	
			1 PLACE	ANGULAR: °	THIS DRAWING CONTAINS INFORMATION THAT IS PROPRIETARY TO MOLEX INCORPORATED AND SHOULD NOT BE USED WITHOUT WRITTEN PERMISSION.					SIZE A4		

WBORD_A.BOR REV A
97/05/14 LEVEL 3

6

5

4

3

2

1

E

D

C

B

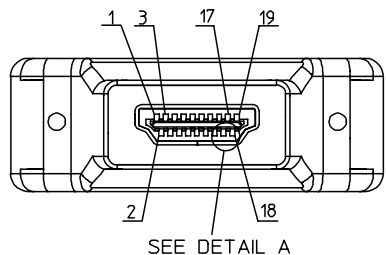
A

NOTE:1. OVERMOLD SPECIFICATION:

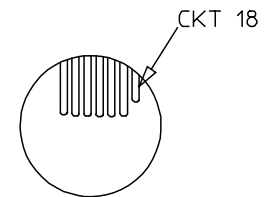
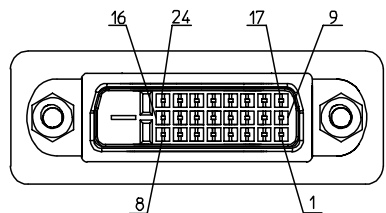
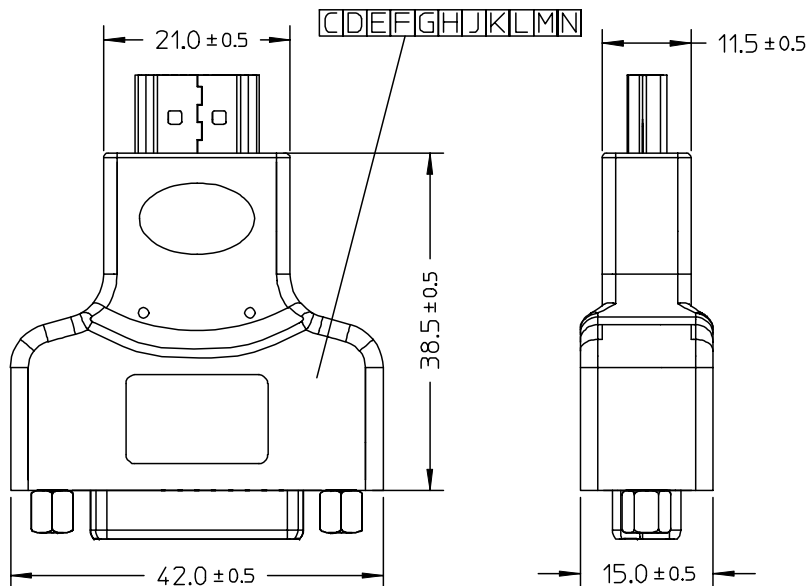
- 1.1 OVERMOLD OUTER MOLD WITH WHITE PVC RESIN UL94V-0
 1.2 OVERMOLD INNER MOLD WITH PE RESIN
 2. CABLE ELECTRICAL SPECIFICATION:
 2.1 DIELECTRIC STRENGTH: 300V AC FOR 10MS.
 2.2 INSULATION RESISTANCE: 10 MEGA Ohms MIN.
 2.3 CONTACT RESISTANCE: 2 OHMS(MAX.)

SHIELD	=====	SHIELD	SHIELD	GROUND
PIN 19	=====	PIN 16	WHITE	HOT PLUG DETECT
PIN 18	=====	PIN 14	YELLOW	POWER +5V
PIN 17	=====	PIN 15	ORANGE	GROUND (+5V&DDC)
PIN 16	=====	PIN 7	RED	DDC DATA (SDA)
PIN 15	=====	PIN 6	VIOLET	DDC CLOCK (SCL)
PIN 12	⊗	PIN 24	WHITE	TMDS CLOCK -
PIN 10	⊗	PIN 23	BROWN	TMDS CLOCK +
PIN 11	=====	PIN 22	BRAID	TMDS CLOCK SHIELD
PIN 9	⊗	PIN 17	WHITE	TMDS DATA 0-
PIN 7	⊗	PIN 18	BLUE	TMDS DATA 0+
PIN 8	=====	PIN 19	BRAID	TMDS DATA 0 SHIELD
PIN 6	⊗	PIN 9	WHITE	TMDS DATA 1-
PIN 4	⊗	PIN 10	BLACK	TMDS DATA 1+
PIN 5	=====	PIN 11	BRAID	TMDS DATA 1 SHIELD
PIN 3	⊗	PIN 1	WHITE	TMDS DATA 2+
PIN 1	=====	PIN 2	RED	TMDS DATA 2+
PIN 2	=====	PIN 3	BRAID	TMDS DATA 2 SHIELD
HDMI		DVI-D	WIRE COLOR	DVI-D

EC NO. DRWN: CHK: APPR:	DESCRIPTION	QUALITY SYMBOLS	GENERAL TOLERANCES: (UNLESS SPECIFIED)		SCALE N.S.T	DESIGN UNITS <input checked="" type="checkbox"/> mm <input type="checkbox"/> INCH	THIRD ANGLE PROJECTION	<input type="checkbox"/> mm <input type="checkbox"/> INCH <input checked="" type="checkbox"/> mm ONLY	SHT	REV
		MAJOR ▼ -0 CRITICAL ▽ -0	4 PLACES 0. 3 PLACES 0. 2 PLACES 0. 1 PLACE 0.	mm	INCH	DRAWN BY & DATE ANDY 04/04/01		TITLE: HDMI(M) TO DVI-D(F) ADAPTOR		
A	REV		ANGULAR: °		CHECKED BY & DATE Teddy 04/04/01		MOLEX INCORPORATED			
					CAD FILENAME J6420-00.MI	MATERIAL NO. 88764-2000	DRAWING NO. SD-88764-005	SHEET NO. 2 OF 2		
THIS DRAWING CONTAINS INFORMATION THAT IS PROPRIETARY TO MOLEX INCORPORATED AND SHOULD NOT BE USED WITHOUT WRITTEN PERMISSION.										SIZE A4



SEE DETAIL A

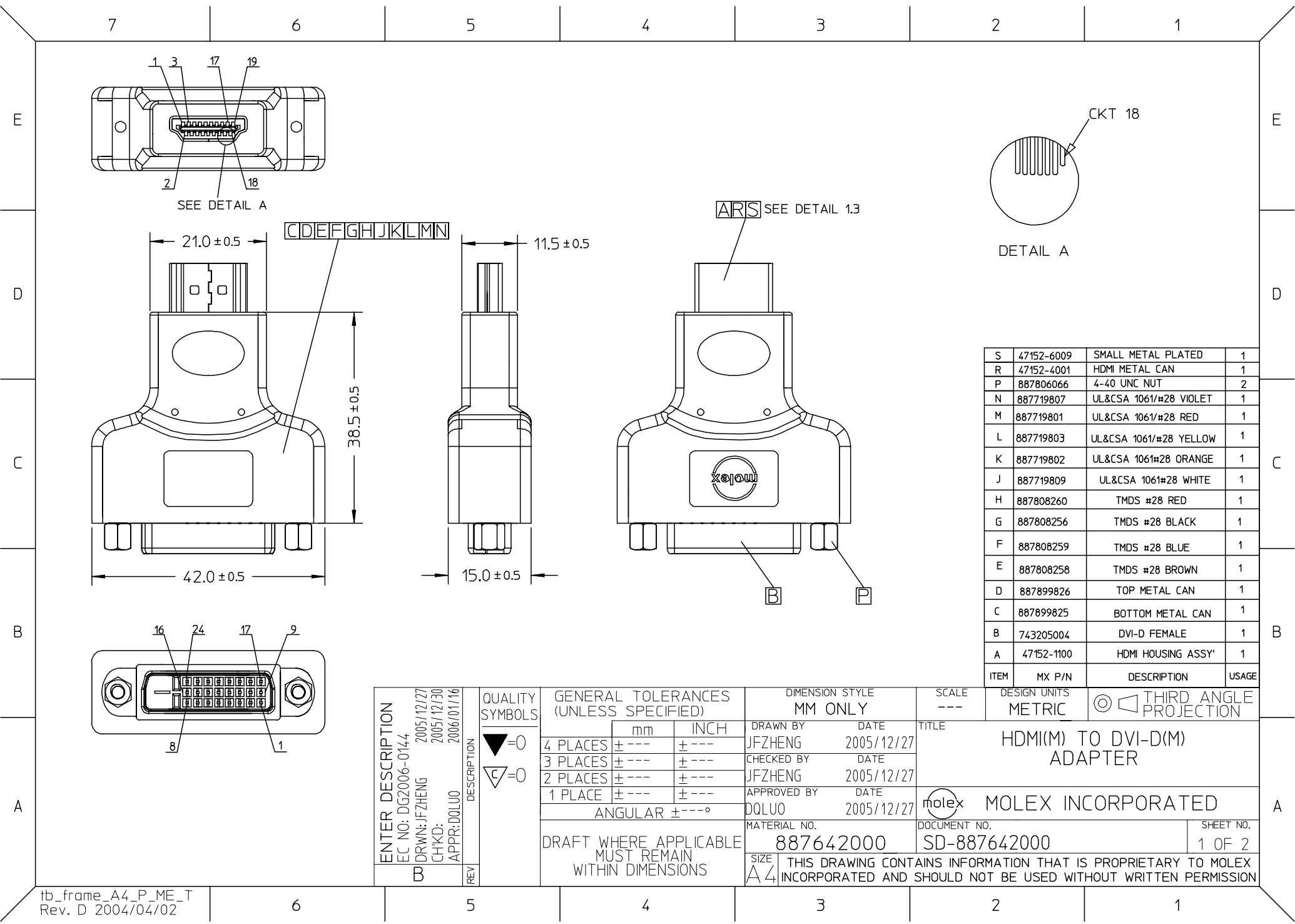


DETAIL A

ARS SEE DETAIL 1.3

S	47152-6009	SMALL METAL PLATED	1
R	47152-4001	HDMI METAL CAN	1
P	887806066	4-40 UNC NUT	2
N	887719807	UL&CSA 1061/#28 VIOLET	1
M	887719801	UL&CSA 1061/#28 RED	1
L	887719803	UL&CSA 1061/#28 YELLOW	1
K	887719802	UL&CSA 1061/#28 ORANGE	1
J	887719809	UL&CSA 1061/#28 WHITE	1
H	887808260	TMDS #28 RED	1
G	887808256	TMDS #28 BLACK	1
F	887808259	TMDS #28 BLUE	1
E	887808258	TMDS #28 BROWN	1
D	887899826	TOP METAL CAN	1
C	887899825	BOTTOM METAL CAN	1
B	743205004	DVI-D FEMALE	1
A	47152-1100	HDMI HOUSING ASSY'	1
ITEM	MX P/N	DESCRIPTION	USAGE

ENTER DESCRIPTION EC NO: DG2006-0144 DRWN: JFZHENG 2005/12/27 CHKD: 2005/12/30 APPR: DQLUO 2006/01/16	QUALITY SYMBOLS 	GENERAL TOLERANCES (UNLESS SPECIFIED)		DIMENSION STYLE MM ONLY		SCALE ---	DESIGN UNITS METRIC	THIRD ANGLE PROJECTION
			mm	INCH	DRAWN BY JFZHENG	DATE 2005/12/27	TITLE HDMI(M) TO DVI-D(M) ADAPTER	
		4 PLACES	± ---	± ---	CHECKED BY JFZHENG	DATE 2005/12/27		
		3 PLACES	± ---	± ---	APPROVED BY DQLUO	DATE 2005/12/27	MOLEX	
2 PLACES	± ---	± ---	DRAFT WHERE APPLICABLE MUST REMAIN WITHIN DIMENSIONS		MATERIAL NO. 887642000	DOCUMENT NO. SD-887642000	SHEET NO. 1 OF 2	
1 PLACE	± ---	± ---			SIZE A4	THIS DRAWING CONTAINS INFORMATION THAT IS PROPRIETARY TO MOLEX INCORPORATED AND SHOULD NOT BE USED WITHOUT WRITTEN PERMISSION		
ANGULAR ± ---°								



NOTE:

1. OVERMOLD SPECIFICATION:
 - 1.1 OVERMOLD OUTER MOLD WITH WHITE PVC RESIN UL94V-0 P/N IS 887800076.
 - 1.2 OVERMOLD INNER MOLD WITH PVC RESIN P/N IS 887800019
 - 1.3 HDMI DUST COVER WITH PE 887800008
2. CABLE ELECTRICAL SPECIFICATION:
 - 2.1 DIELECTRIC STRENGTH: 300V AC FOR 10MS.
 - 2.2 INSULATION RESISTANCE: 10 MEGA Ohms MIN.
 - 2.3 CONTACT RESISTANCE: 2 OHMS(MAX.)
3. ALL MATERIALS MUST MEET MX TS-0002.

SHIELD	=====	SHIELD	SHIELD	GROUND
PIN 19	=====	PIN 16	WHITE	HOT PLUG DETECT
PIN 18	=====	PIN 14	YELLOW	POWER +5V
PIN 17	=====	PIN 15	ORANGE	GROUND (+5V&DDC)
PIN 16	=====	PIN 7	RED	DDC DATA (SDA)
PIN 15	=====	PIN 6	VIOLET	DDC CLOCK (SCL)
PIN 12	=====	PIN 24	WHITE	TMDS CLOCK -
PIN 10	=====	PIN 23	BROWN	TMDS CLOCK +
PIN 11	=====	PIN 22	BRAID	TMDS CLOCK SHIELD
PIN 9	=====	PIN 17	WHITE	TMDS DATA 0-
PIN 7	=====	PIN 18	BLUE	TMDS DATA 0+
PIN 8	=====	PIN 19	BRAID	TMDS DATA 0 SHIELD
PIN 6	=====	PIN 9	WHITE	TMDS DATA 1-
PIN 4	=====	PIN 10	BLACK	TMDS DATA 1+
PIN 5	=====	PIN 11	BRAID	TMDS DATA 1 SHIELD
PIN 3	=====	PIN 1	WHITE	TMDS DATA 2+
PIN 1	=====	PIN 2	RED	TMDS DATA 2+
PIN 2	=====	PIN 3	BRAID	TMDS DATA 2 SHIELD
HDMI		DVI-D	WIRE COLOR	FUNCTION

ENTER DESCRIPTION EC NO: DG2006-0144 DRWN: JFZHENG CHKD: APPR: DQLUO	2005/12/27 2005/12/30 2006/01/16	DESCRIPTION REV	QUALITY SYMBOLS	GENERAL TOLERANCES (UNLESS SPECIFIED)		DIMENSION STYLE		SCALE	DESIGN UNITS	THIRD ANGLE PROJECTION
			 	mm	INCH	MM ONLY	---	METRIC	HDMI(M) TO DVI-D(M) ADAPTER	
				4 PLACES	±---	±---	DRAWN BY	DATE		TITLE
				3 PLACES	±---	±---	JFZHENG	2005/12/27		
2 PLACES	±---	±---	CHECKED BY	DATE						
1 PLACE	±---	±---	JFZHENG	2005/12/27						
ANGULAR ±---°		APPROVED BY	DATE	MOLEX INCORPORATED						
DRAFT WHERE APPLICABLE MUST REMAIN WITHIN DIMENSIONS		MATERIAL NO.	887642000	DOCUMENT NO.	SD-887642000	SHEET NO.				
		SIZE	A/4	THIS DRAWING CONTAINS INFORMATION THAT IS PROPRIETARY TO MOLEX INCORPORATED AND SHOULD NOT BE USED WITHOUT WRITTEN PERMISSION			2 OF 2			