

Amphenol Tuchel Industrial GmbH Postfach 1110 74001 Heilbronn

Sine Systems Corp.  
44724 Morley Drive  
48036 Charter Twp of Clinton  
US

**Amphenol Tuchel Industrial GmbH**  
August-Haeusser-Strasse 10  
74080 Heilbronn / Germany

Tel.: 07131 929-406  
Fax: 07131 929-486  
Mail: Denise.Lippman@amphenol.de  
www.amphenol.de

23. August 2017

## Optimize heavy|mate F Series

Dear Sir or Madam,

We continually strive to improve our products. Therefore we are taking constantly direct measures to optimize our product range.

Due to this optimization the frames of the heavy|mate F series will have a coding, see pic in attachment and the p/n.

The actual frames will be replaced by the new ones after using up existing stock.

With best regards,

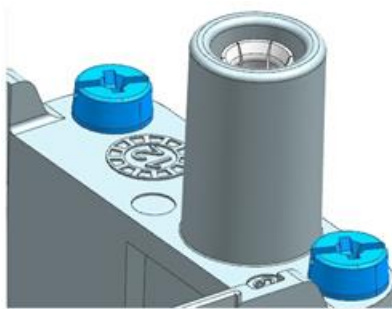
**Amphenol Tuchel Industrial GmbH**

Volker Haeusler  
Product Manager

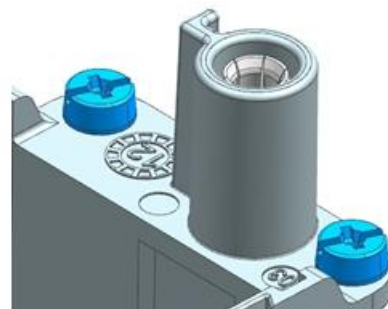
**Geschäftsführer:**  
Klaus-Dieter Arndt,  
Joerg Kersten,  
Craig A. Lampo,  
Adam Norwitt  
**Sitz der Gesellschaft:**  
Heilbronn / Deutschland  
Amtsgericht Stuttgart, HRB 755446

Attachement:

- C146 10P006 000 15
- C146 10S006 000 15
- C146 10P010 000 15
- C146 10S010 000 15
- C146 10P016 000 15
- C146 10S016 000 15
- C146 10P024 000 15
- C146 10S024 000 15
- C146 10P006 100 15
- C146 10S006 100 15
- C146 10P010 100 15
- C146 10S010 100 15
- C146 10P016 100 15
- C146 10S016 100 15
- C146 10P024 100 15
- C146 10S024 100 15



**alt / old**



**neu / new**

