

1 2 3 4 5 6 7 8

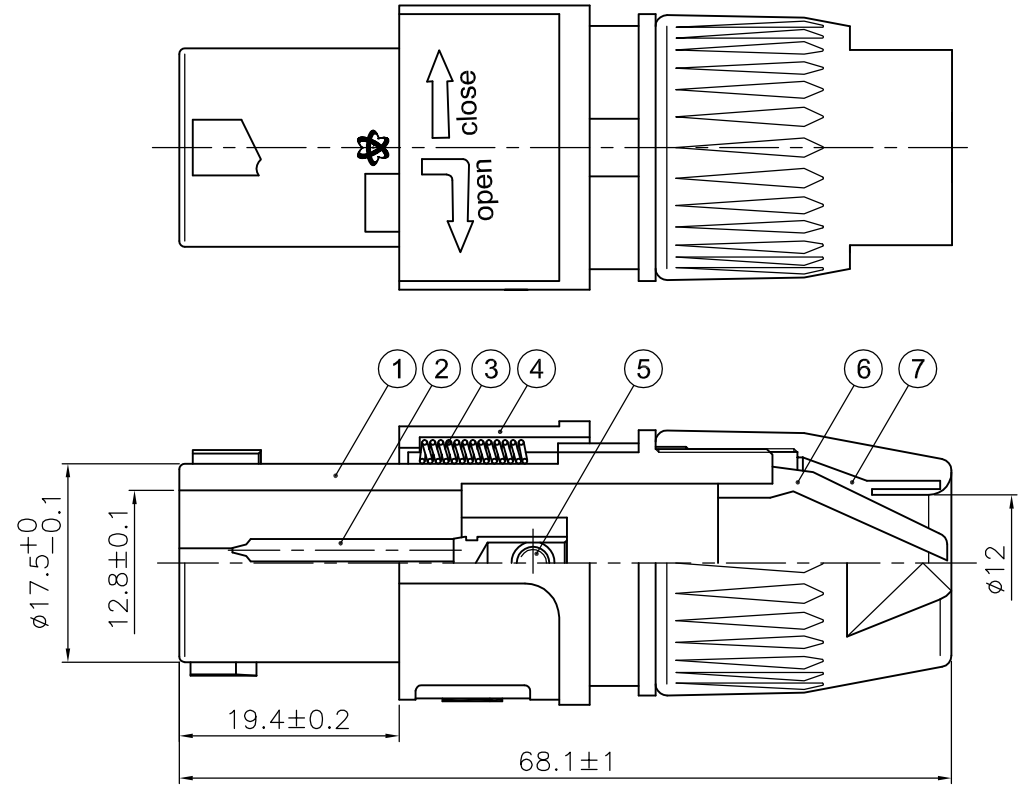
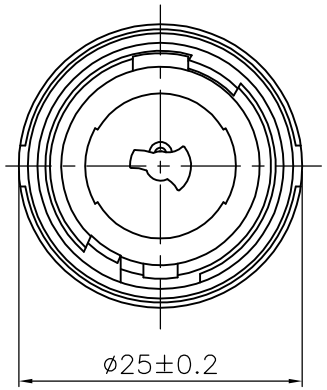
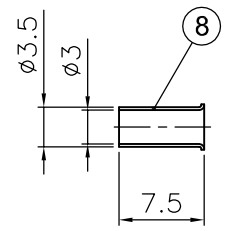
REVISIONS		
ISS	ZONE	DESCRIPTION\PER REQUEST\DATE
V	OPEN	對客戶公開圖紙
	OPEN	對供應商公開圖紙
	CLOSED	僅限廠內使用

Note(備註):  
1. Packing: 1pc / bag,

僅供參考圖  
FOR REFERENCE  
DRAWING

F  
E  
D  
C  
B  
A

F  
E  
D  
C  
B  
A



8	銅管(SLEEVE)	H62	鍍金(GOLD)	2	1601150065
7	螺套(CAP)	PA	藍色(BLUE)	1	
6	夾線爪(CLAMP)	PA	白色(WHITE)	1	
5	螺絲(SCREW)	Q235	發黑處理 (Blackening)	2	
4	外殼(SHELL)	PA	灰色(GRAY)	1	
3	彈簧(SPRING)	70#		1	
2	銅針(BRASS PIN)	H59-1	鍍鎳(NICKEL)	2	
1	本體(BODY)	PA	黑色(BLACK)	1	
NO.	DESCRIPTION	MATERIAL	FINISH	Q'TY	DRAWING NO.

DIMENSIONS ARE IN MILLIMETERS	
UNLESS OTHERWISE SPECIFIED TOLERANCES	
ANGLES = ±5°	
UP TO 6 = ±0.2	
6-40 = ±0.4	
40-120 = ±0.6	
120-315 = ±1	
ABOVE 315 = ±1.6	
THIRD_ANGLE	
SCALE	1.5/1

APPROVED	DATE	2016-01-19
CHECKED	DATE	2016-01-19
DRAWN 吳碧珊	DATE	2016-01-19
ERP LINK:	----	

TITLE			2P FEMALE CABLE MOUNT SPEAKER CONNECTOR		
PART NO.			27-10157		
REV.	A1				

1 2 3 4 5 6 7 8