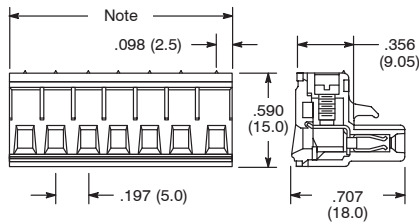


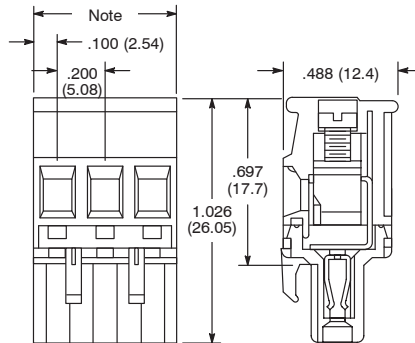
# EUROSTYLE TERMINAL BLOCKS

## 25-E800 Series Plug for Pluggable Types



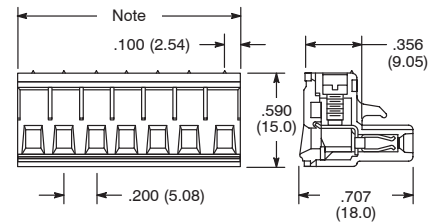
Note: .197 (5.0) x P

## 25-E1100 Series Plug for Pluggable Types



Note: .200 (5.08) x P

## 25-E1200 Series Plug for Pluggable Types



Note: .200 (5.08) x P

Pitch: 5mm

### Specifications

Approval	c
Rated Voltage	300V
Rated Current	15A
Wire Range	-
Solid Wire (AWG)	28 - 12
Stranded Wire (AWG/mm <sup>2</sup> )	30 - 12
Rated Surge Voltage (UL/Max.)	1.6KV / 4KV
Torque (Lb-in)	4.5
Screw Type	M2.5
Wire Strip Length	.276 - .315" (7 - 8mm)

Pitch: 5.08mm

### Specifications

Approval	c
Rated Voltage	300V
Rated Current	15A
Wire Range	-
Solid Wire (AWG)	28 - 12
Stranded Wire (AWG/mm <sup>2</sup> )	30 - 12
Rated Surge Voltage (UL/Max.)	1.6KV / 3KV
Torque (Lb-in)	4.5
Screw Type	M2.5
Wire Strip Length	.276 - .315" (7 - 8mm)

Pitch: 5.08mm

### Specifications

Approval	c
Rated Voltage	300V
Rated Current	15A
Wire Range	-
Solid Wire (AWG)	28 - 12
Stranded Wire (AWG/mm <sup>2</sup> )	30 - 12
Rated Surge Voltage (UL/Max.)	1.6KV / 4KV
Torque (Lb-in)	4.5
Screw Type	2.5
Wire Strip Length	.276 - .315" (7 - 8mm)

### Ordering Information

Number of Poles	NTE Part Number
02	25-E800-02
03	25-E800-03
04	25-E800-04
05	25-E800-05
06	25-E800-06
07	25-E800-07
08	25-E800-08
09	25-E800-09
10	25-E800-10
12	25-E800-12

### Ordering Information

Number of Poles	NTE Part Number
02	25-E1100-02
03	25-E1100-03
04	25-E1100-04
05	25-E1100-05
06	25-E1100-06
08	25-E1100-08
10	25-E1100-10

### Ordering Information

Number of Poles	NTE Part Number
02	25-E1200-02
03	25-E1200-03
04	25-E1200-04
05	25-E1200-05
06	25-E1200-06
08	25-E1200-08
10	25-E1200-10
12	25-E1200-12