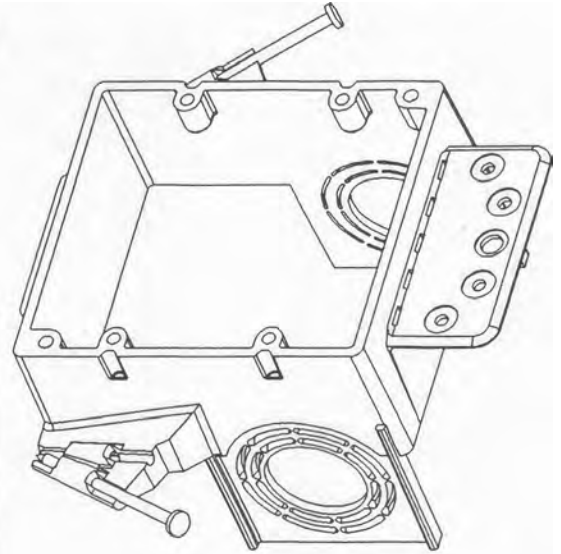
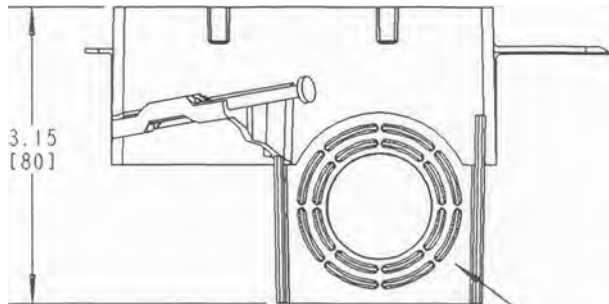
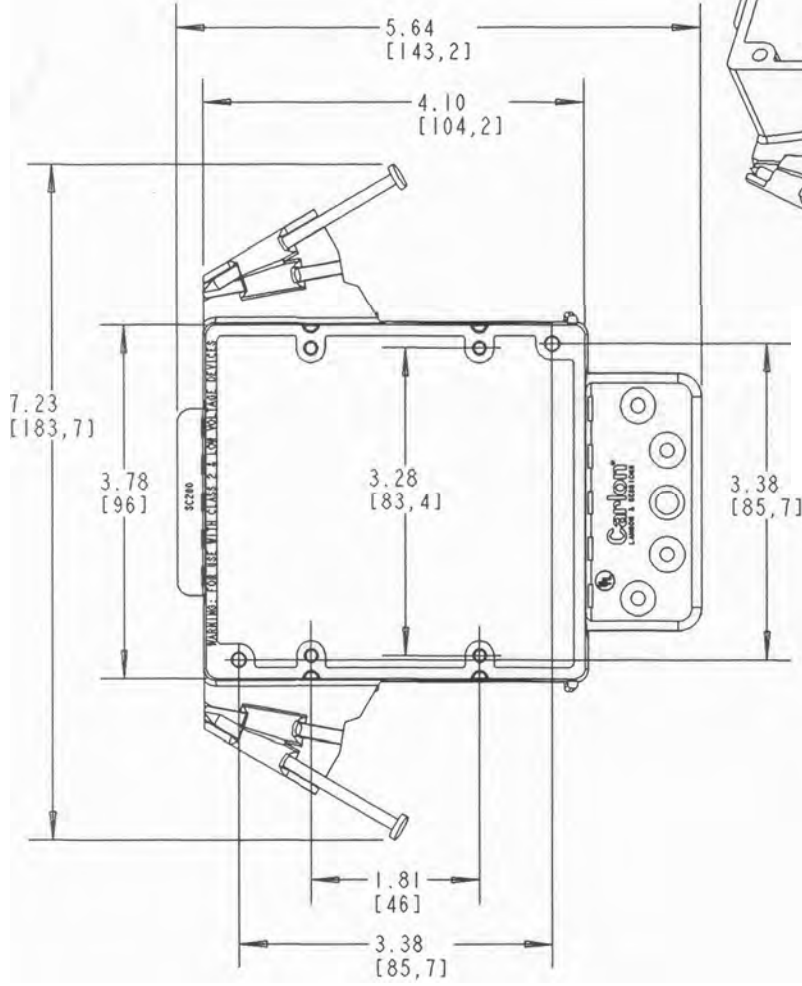


CARLON



SCALE 0.500



OPENING FOR 3/4" PORT
KNOCKOUTS FOR 1" & 1-1/4" PORTS

NOTE:
ALL DIMENSIONS ARE IN INCH/MILLIMETERS.

TITLE		2 GANG - OPEN BACK BRACKET		DRN.	DATE	PART NO:		SC200A	
LAMSON & SESSIONS		ALL DRAWINGS ARE THE PROPERTY OF LAMSON & SESSIONS AND SHALL NOT BE REPRODUCED IN ANY FORM WITHOUT LAMSON & SESSIONS' APPROVAL AND ARE TO BE PROMPTLY RETURNED UPON REQUEST.							
		APP.	DATE	DRAWING NO:		AC04003		REV.	A