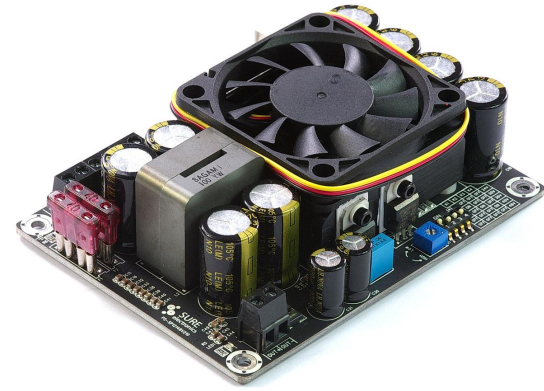


# Audio Converter Series

## 500W Symmetric Boost Converter For Car Audio (PS-SP12148)



### Key Features:

- A mature DC/DC Boost Converter
- LED status indicator
- Voltage adjustable via DIP switch
- Independent heatsink
- Smart fan for heat dissipation
- Input line with a fuse protection
- Weight: 405g/0.89 lbs (±10%)
- Size: 4.8"X3.6"

### Electrical Specifications

Specifications typical @ +25°C, Powered by 12V DC, unless otherwise noted. Specifications subject to change without notice.

Parameter	Conditions	Min.	Typ.	Max.	Units
Power Supply	-	11	12	27	VDC
EN enabled Voltage	-	-	12	-	V
Output Power	-	-	500	-	W
Oscillation Frequency	-	-	55	-	KHz
Quiescent Current	VIN=12V	-	20	-	mA
Operating Temperature	-	0	20	80	°C
Storage Temperature	-	-20	20	105	°C
Thermal Shutdown Temperature	-	-	150	-	°C

### Note:

Stresses beyond the listed maximum power supply voltage may cause the permanent damage to components on board.

### Model Selection Guide

Model Number	Input Voltage	Output Power	Dimension
PS-SP12151	11-27V	300W	4.8"X3.6" <sup>#1</sup>
PS-SP12148	11-27V	500W	4.8"X3.6"

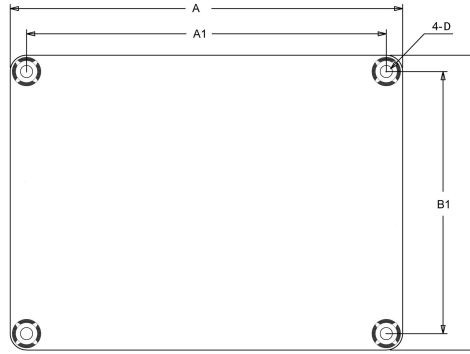
## Environmental Conditions:

- Humidity: 5-85% RH Non-condensing
- Operating Temperature Ambient: 0°C to +55°C
- Storage Temperature: -40°C to 85°C

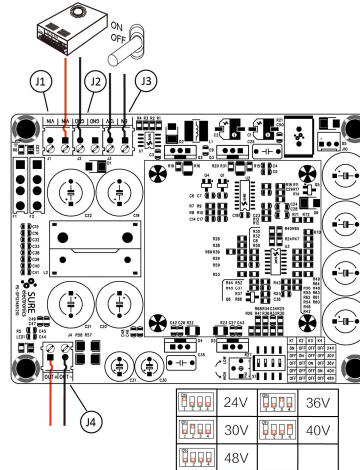
All these boards are per-tested with our power supply solution. For all customers who need those information, please contact our distributor or Sure Electronics. RoHS compliant will need an MOQ of 1000pcs per order.

FC CE  
RoHS

## Mechanical Dimensions



## Connections



Dimension	A (inch/mm)	A1 (inch/mm)	B (inch/mm)	B1 (inch/mm)	D (inch/mm)
#1	4.8/ 121.92	4.4/ 111.76	3.6/ 91.44	3.2/ 81.28	0.2/5.08

### Notes:

- All dimensions are typical in inches (mm)
- Tolerance x.xx = ±0.02 (±0.50)

### Power Supply Connector:

- J1.J2 Terminal Block RJ128

Pin	Function
3,4	GND
5,6	VIN

### EN Connector:

- J3 Terminal Block RJ128

Pin	Function
1	EN
2	12V

Standby: EN connected to 12V(Short circuit)

### Output Connector

- J4 Terminal Block RJ128

Pin	Function
1	OUT+
2	OUT-



**Sure Electronics**  
Have Fun With Us!