



HDMI/RS232 Extender Kit, HDBT, UHD-4K 500454, 500454-POE

Overview

The HDMI/RS232 Extender Kit (500454, 500454-POE) allows HDMI equipment to be connected up to 230 ft (70 m) at all resolutions up to 1080p via one (1) Cat 5e/6 unshielded twisted pair cable in a point-to-point configuration. Furthermore, the product supports RS232 to allow control commands to be transmitted between the HDMI source and receiver. The product is available in a “PoE” configuration to allow the HDMI/RS232 Receiver to be powered by the transmitter for greater ease of cabling.

Applications

Digital signage, commercial AV systems, classroom projector systems, boardroom systems, collaborative PC systems, medical information systems.

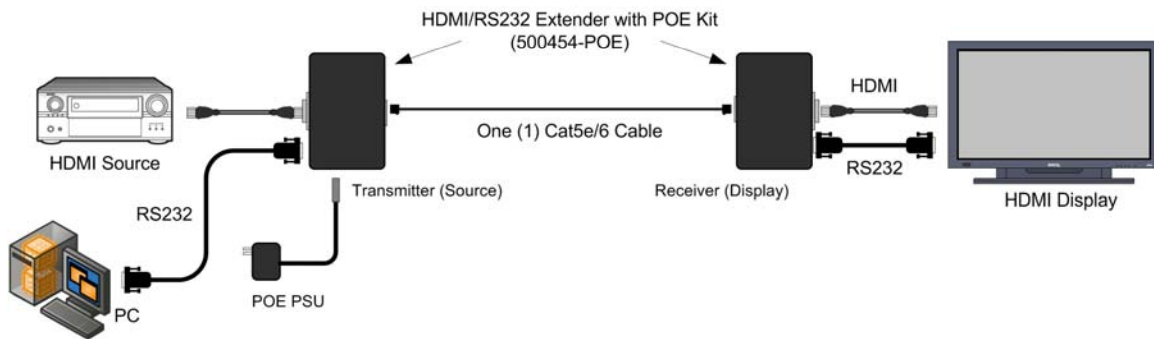
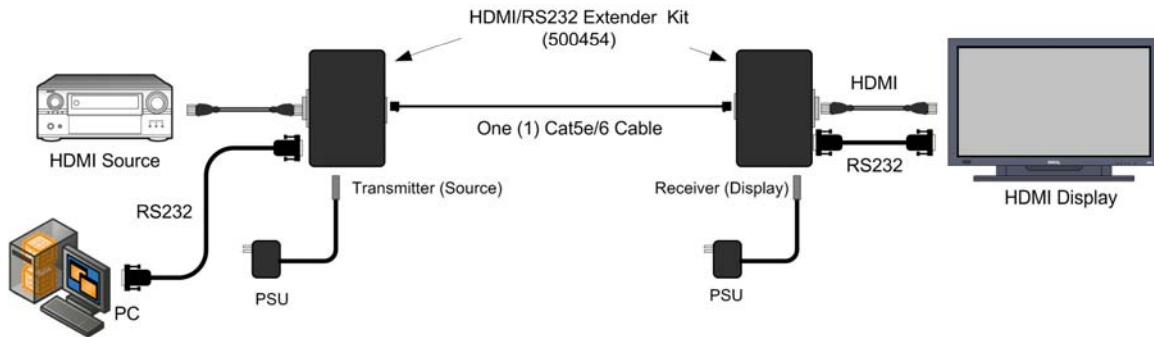


Key Features

- Supports 3D of HDMI 1.4
- Up to 230 ft (70m) at all resolutions up to 1080p via single Cat5e/6
- PoE version (optional)
- Supports all digital audio modes
- Supports RS232
- Supports bi-directional IR remote source control
- Includes IR Emitter (500998) and IR Sensor (500999)

Specifications										
Environment	HDMI 1.3a, HDBaseT (5 Play technology). (Supports the 3D feature of HDMI 1.4). Supports all digital audio modes									
Devices	DVD, plasma, projectors, monitors, TV, PC, laptops, servers supporting HDMI									
Transmission	Transparent to the user									
Bandwidth	340 MHz									
Signals	HDMI 1.3a, HDBaseT, Digital audio: 7.1CH, Dolby TrueHD, DTS-HD									
Connectors	One (1) HDMI receptacle. One (1) RJ45S for Link One (1) DB9 for RS232 Two (2) 3.5mm jacks for IR emitter and IR Sensor <i>HDMI cables not included.</i>									
Max. Distance*	Cat 5e/6: 230 ft (70 m) up to 1080P Deep Color 115 ft (35 m) for 4K; 3840 X 2160/24,25,30 Hz When installed in an electrically noisy environment, STP cable must be used. Also, cross-connection reduces the effective distance depending on the grade of twisted cable used.									
RJ45 Pin Configuration	<p><u>RJ45</u></p> <p>Reverse Polarity Sensitive Use EIA/TIA 568 A or B, straight-through wiring.</p> <table border="0"> <tr> <td>Pin 1 (R)</td> <td>Pin 2 (T)</td> <td rowspan="4"> </td> </tr> <tr> <td>Pin 3 (R)</td> <td>Pin 6 (T)</td> </tr> <tr> <td>Pin 4 (R)</td> <td>Pin 5 (T)</td> </tr> <tr> <td>Pin 7 (R)</td> <td>Pin 8 (T)</td> </tr> </table>	Pin 1 (R)	Pin 2 (T)		Pin 3 (R)	Pin 6 (T)	Pin 4 (R)	Pin 5 (T)	Pin 7 (R)	Pin 8 (T)
Pin 1 (R)	Pin 2 (T)									
Pin 3 (R)	Pin 6 (T)									
Pin 4 (R)	Pin 5 (T)									
Pin 7 (R)	Pin 8 (T)									
Cable	One (1) Cat5e/6 or better twisted pair cable required.									
Power Supply	500454: Two (2) 110-240V/5VDC power supply with interchangeable blades included 500454-POE: One (1) POE power supply									
Power Consumption	Transmitter: 1.6W Receiver: 3.2W									
Temperature	Operating: 0° to 55° C. Storage: -20° to 85° C. Humidity: up to 95% non-condensing.									
Enclosure	Metal									
Dimensions	4.40" x 3.00" x 1.00" (11.2 x 7.6 x 2.5 cm)									
Weight	1.4 lb (.6 kg)									
Compliance	Regulatory: FCC, CE, RoHS Flammability: 94V0									
Warranty	2 years									
Order Information	<table border="0"> <tr> <td>500454</td> <td>HDMI / RS232 Extender Kit</td> </tr> <tr> <td>500454-RX</td> <td>HDMI / RS232 Receiver</td> </tr> <tr> <td>500454-POE</td> <td>HDMI / RS232 Extender Kit with POE</td> </tr> <tr> <td>500454-POE-RX</td> <td>HDMI / RS232 Receiver with POE</td> </tr> </table>	500454	HDMI / RS232 Extender Kit	500454-RX	HDMI / RS232 Receiver	500454-POE	HDMI / RS232 Extender Kit with POE	500454-POE-RX	HDMI / RS232 Receiver with POE	
500454	HDMI / RS232 Extender Kit									
500454-RX	HDMI / RS232 Receiver									
500454-POE	HDMI / RS232 Extender Kit with POE									
500454-POE-RX	HDMI / RS232 Receiver with POE									

Typical Application



Rear panels – non PoE version



Rear panels – PoE version