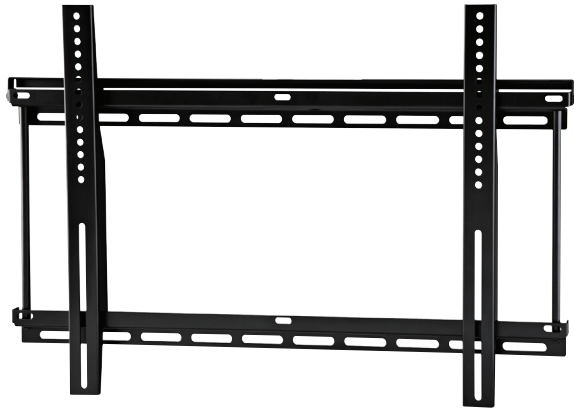


OC175F product information sheet



A quick installation and locking bar make the OC175F great for residential or commercial applications.

Product Benefits

- Low profile offers sufficient room for cable connections and cooling while keeping TV close to the wall
- Lift n' Lock™ feature offers easy, three-step installation
- Open frame provides ample room for power and A/V cutouts behind TV
- Vertical rails fit VESA and non-VESA TVs
- Vertical rails slide on wall plate for minor left/right repositioning
- Locking bar secures TV to mount
- Includes complete hardware kit

Product Specifications

Fits most: 37–90" TVs

Supports up to: 175 lbs (79.4 kg)

Mounting profile: 1.7" (4.4 cm)

Universal & VESA compliant:

100x100 to 600x400

Mounting: Double-stud or solid wall

Warranty: 5 years

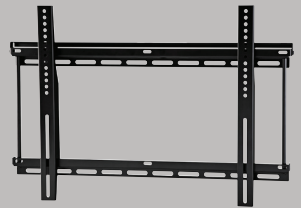
Color: Black



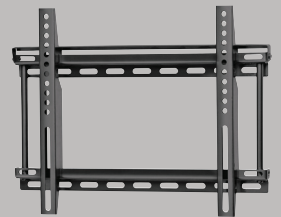
Series



OC175T



OC175F



OC80F



OC40F



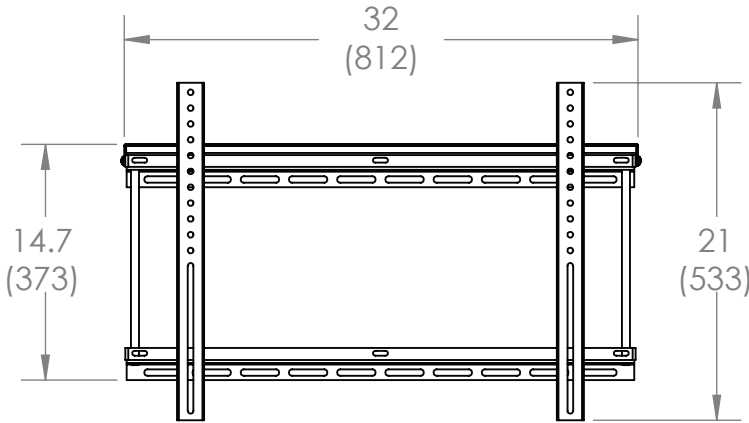
Keeping ease of installation in mind, the OC175F was designed to be installed in a few simple steps

800.MOUNT.IT (800.668.6848)

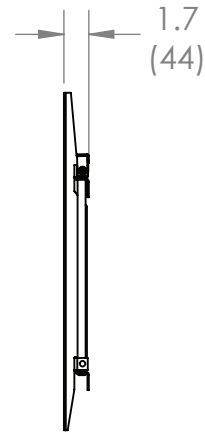


04222013

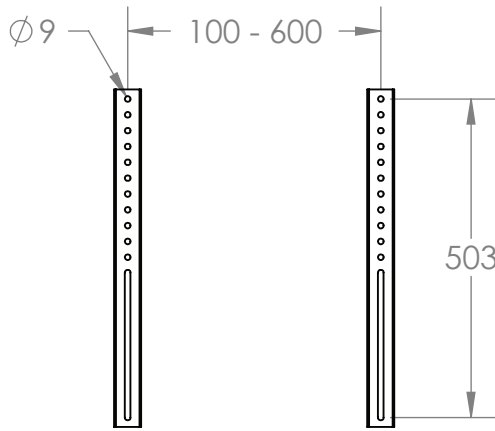
OC175F technical data sheet



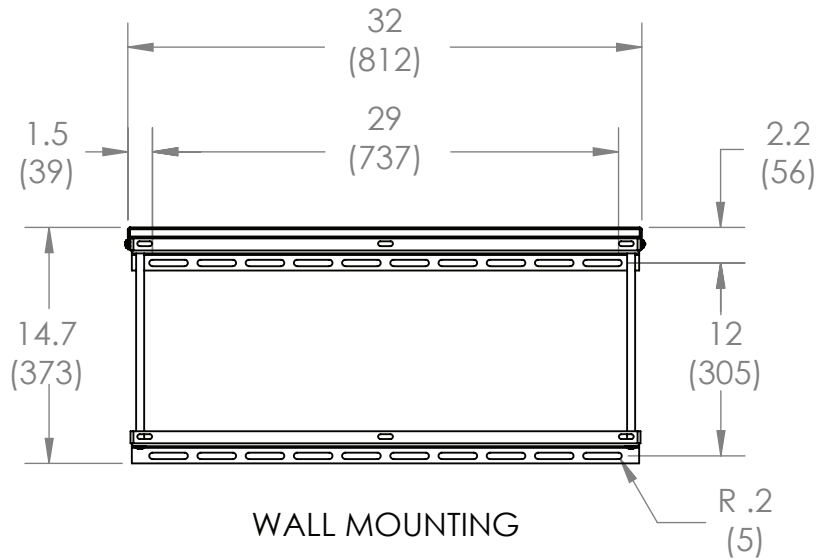
FRONT VIEW



MOUNTING PROFILE



PANEL ATTACHMENT - VESA COMPATABILITY (mm)



WALL MOUNTING

inches (mm)



	Packaging UPC	MC UPC
Americas	698833038224	10698833038221
INT	NA	NA

	Dimensions WxDxH inches (mm)	Wt lbs (kg)	Qty
Box	34.2 x 15.8 x 2.5 (869x401x64)	10.8 (4.9)	NA
MC	34.6 x 16.3 x 6.2 (878x415x158)	24 (10.9)	2

Box Contents	Qty
Wall plate	1
Vertical rail	2
Locking bar	1
Complete mount installation hardware kit	1

Box Contents	Qty
Complete TV attachment hardware kit	1
Instruction manual	1
TV compatibility chart	1