

Miniature Snap-In Nylon Illuminated Rocker



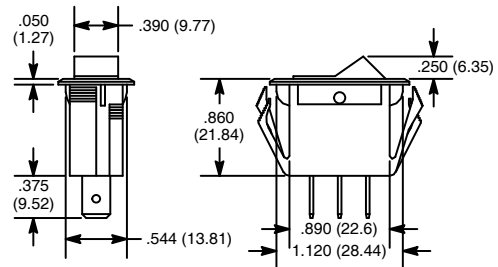
Features

- Single Pole
- AC Rated, Also Suitable for Low Voltage DC Applications
- Double Insulated



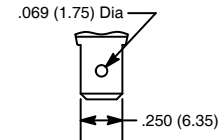
NTE Type No.	Circuitry	Action			Actuator	Lens Color	Diag No.
54-054	SPST	OFF	NONE	ON	Nylon	Red	S16b

S16



Terminal Types

b: .250" Tab (Q.C.)



Specifications

Current Rating: 15A 125VAC, 10A 250VAC, 3/4 HP 125-250VAC
Lens Color: Red
Lamp Voltage: 125V Neon
Insulation Resistance: 100 Megohms (min.)
Dielectric Strength: 1000V RMS (min.)
Temperature Rating: +32°F to +185°F (0°C to +85°C)
Electrical Life: 100,000 cycles
Mechanical Life: 100,000 cycles
Terminal Type: .250" Tab Q.C.
Mounting Hole: 1.125 (28.57) x .550 (13.97)

Miniature Snap-In Nylon Illuminated Rocker

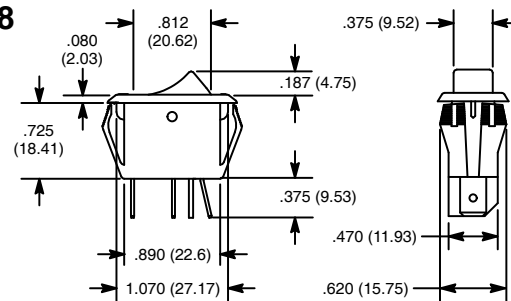


Features

- Single Pole
- .250" Quick Connect Terminals

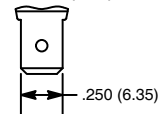


S18



Terminal Types

b: .250" Tab (Q.C.)



Specifications

Current Rating: 16A 125VAC, 10A 250VAC, 10(4)A 250VAC μ T85
Lens Color: See Table
Lamp Voltage: 125V Neon
Insulation Resistance: 100 Megohms (min.)
Dielectric Strength: 1000V RMS (min.)
Temperature Rating: +32°F to +185°F (0°C to +85°C)
Electrical Life: 100,000 cycles
Mechanical Life: 100,000 cycles
Terminal Type: .250" Tab Q.C.
Mounting Hole: 1.125 (28.58) x .550 (13.97)

NTE Type No.	Circuitry	Action			Actuator	Lens Color	Diag No.
54-064	SPST	OFF	NONE	ON	Translucent Nylon	Amber	S18b
54-065	SPST	OFF	NONE	ON		Red	S18b
54-517	SPST	OFF	NONE	ON	Clear Nylon	Red	S18b
NEW 54-518	SPST	OFF	NONE	ON		Green	S18b
NEW 54-519	SPST	OFF	NONE	ON		Amber	S18b