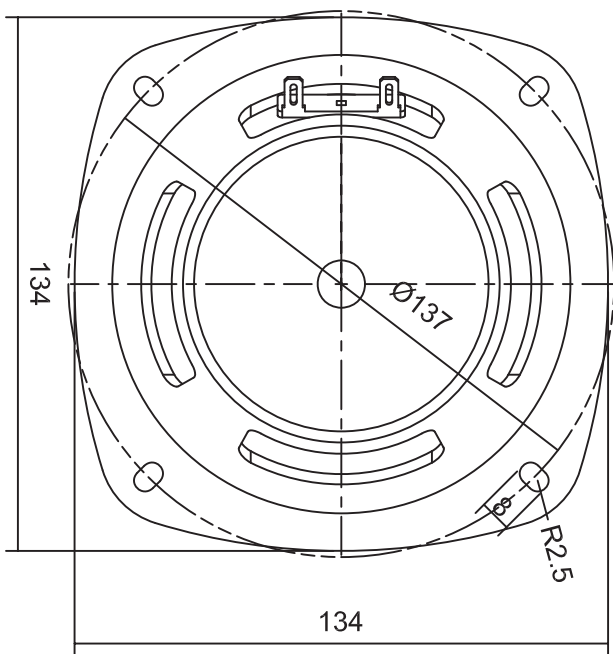
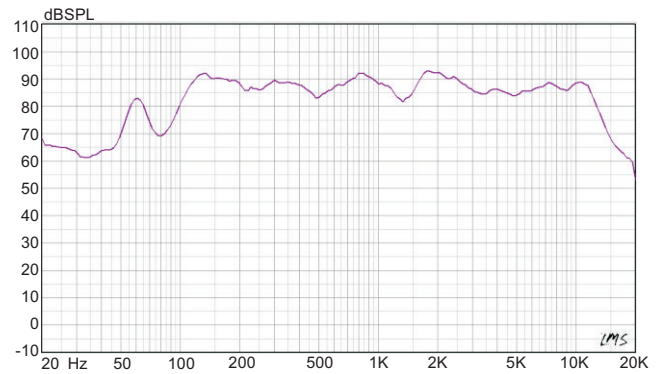


PARAMETERS

Impedance	8 Ohm
Re	7.2 ohms
Fs	89.97 Hz
Qms	5.29
Qes	1.28
Qts	1.03
Mms	9g
Cms	0.35mm/N
Sd	91.6cm ²
BL	5.4Tm
Vas	4.14liters
VC diameter	1"
SPL	85.6
RMS power	40Watts
Frequency Response	89 to 12,000Hz



SPL vs Freq



Impedance vs Freq

