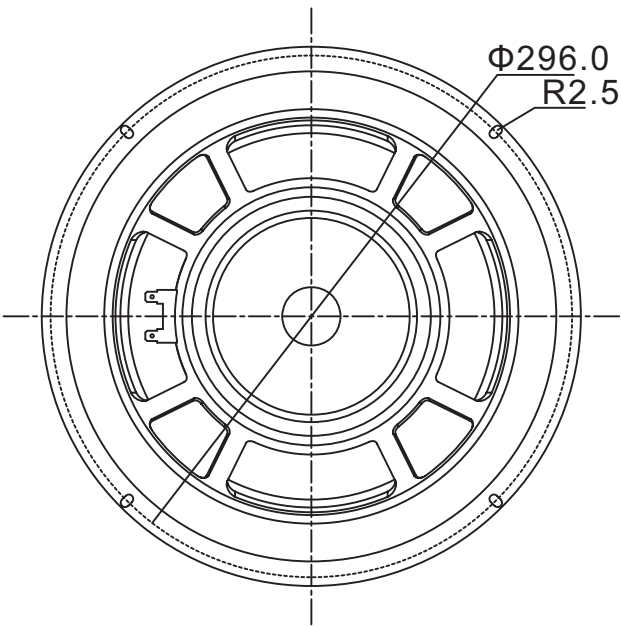
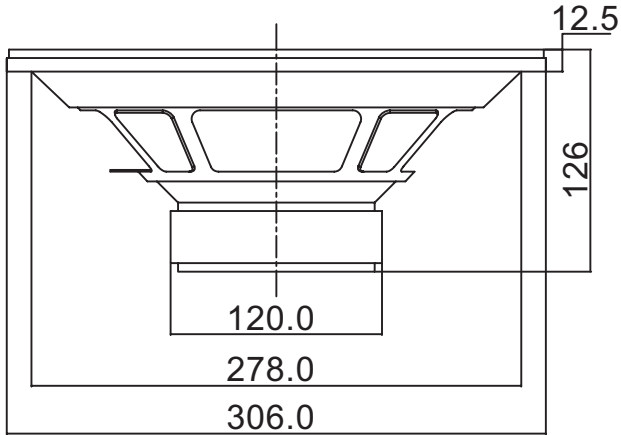
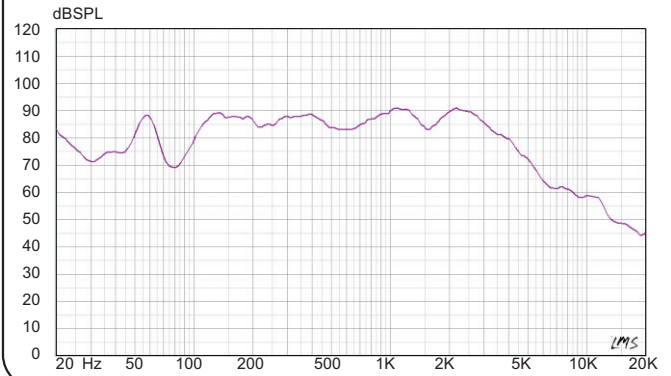


PARAMETERS

Impedance	8 Ohm
Re	7.6 ohms
Le	1.4 mH
Fs	39.3Hz
Qms	1.56
Qes	1.3
Qts	0.71
Mms	123.1g
Cms	0.13mm/N
Sd	530.93cm <sup>2</sup>
BL	13.3Tm
Vas	53.43 liters
Xmax	3.5 mm
VC diameter	2"
SPL	85.8dB
RMS power	100Watts
Frequency Response	39 to 3,000Hz



SPL vs Freq



Impedance vs Freq

