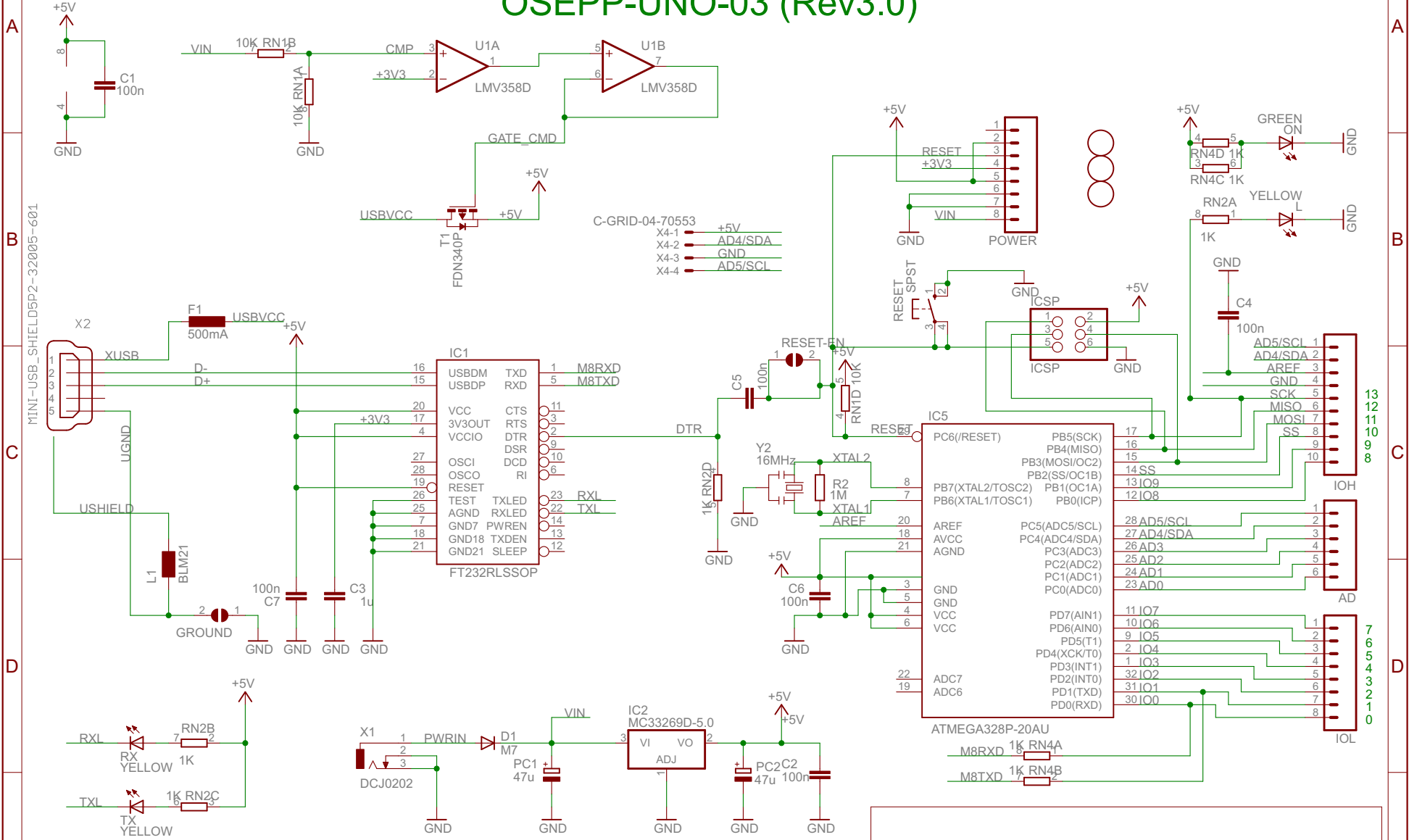


OSEPP Uno R3 Plus (Arduino Compatible)

OSEPP-UNO-03 (Rev3.0)



Original design (Arduino UNO SMD RevG) by M. Banzi, D. Cuartielles, T. Igoe, G. Martino and D. Mellis
 Released under the Creative Commons Attribution Share-Alike 3.0 License
<http://creativecommons.org/licenses/by-sa/3.0/>
 Design by: M. Banzi, D. Cuartielles, T. Igoe, G. Martino, D. Mellis and OSEPP

TITLE: OSEPP_Uno-Rev3.0	
Document Number:	REV:
Date: 7/10/12 7:47:17 AM	Sheet: 1/1