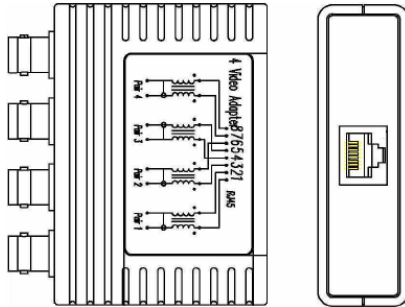
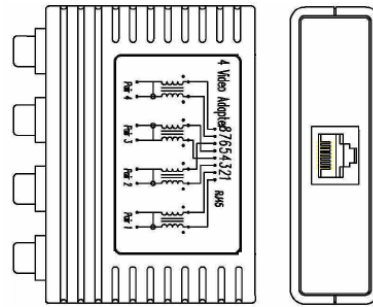


MCM CUSTOM AUDIO

Four Channel Video to Cat5 Balun



**Female BNC Style
Model #50-7769**



**Female RCA Style
Model #50-7768**

Overview

These baluns allow installers to take advantage of Cat5 (or higher) cable for interconnecting multiple composite video sources and monitors, over long distances. This is useful in retrofit applications as it takes advantage of unused pairs of Cat5 data cable already in place. In new construction, take advantage of the smaller size and lower cost of Cat5 cable when distributing signals throughout the structure. Each balun accepts standard RJ45 male connectors, is completely passive and requires no power. Each unit is clearly labeled to identify which RJ45 connector pair is used for the designated video path.

To suite a variety of needs, both BNC and RCA connector styles are available. Internally, these baluns are identical, and are compatible with each other. Therefore BNC and RCA types may be used together. While designed for composite video signal, these baluns are also suitable for use with RGB and Y/Pb/Pr HDTV video signals.

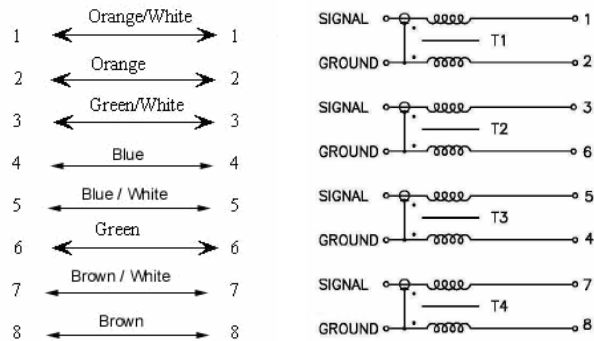
Important Note: Baluns must be used in pairs.

Wiring

The center diagram illustrates the standard wiring of RJ45 connectors in Network applications. Note that pairs exist between pin #4/5, #3/6, #1/2 and #7/8.

When looking at an RJ45 connector from the bottom, with the spring tab facing down, pin #1 will appear on the left.

The diagram on the right shows the arrangement within the baluns.



Distance

Actual usable maximum distance between these baluns will vary on a number of factors including strength of signal, quality of terminations and local sources of interference. Each of these balun models are rated for distances of up to 1000' when used with Cat5 cable. Depending upon the size of the video monitor, and signal level, usable distances will likely be much greater. Also, distances will increase with Cat5e, Cat6 or higher rated cable.

MCM Electronics
650 Congress Park Drive
Centerville, Ohio 45459
www.mcmelectronics.com