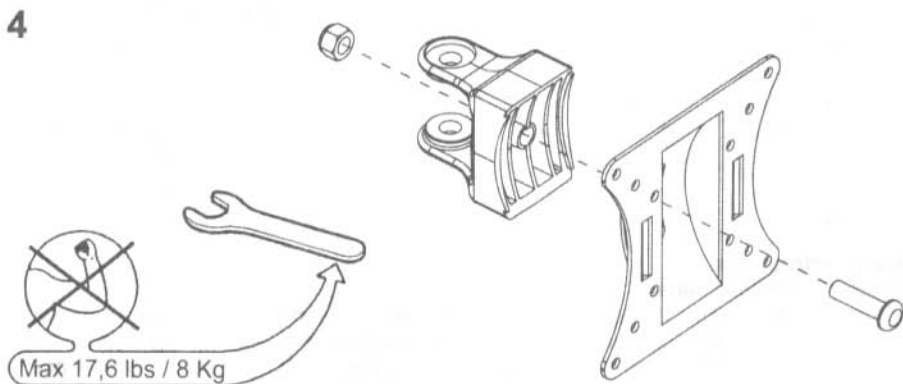
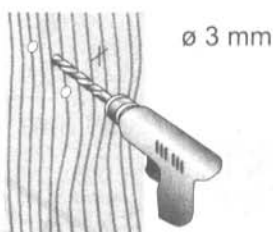
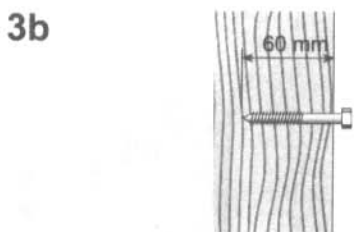
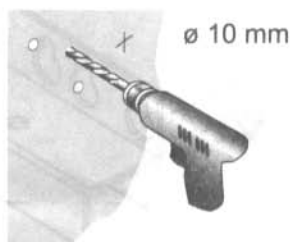
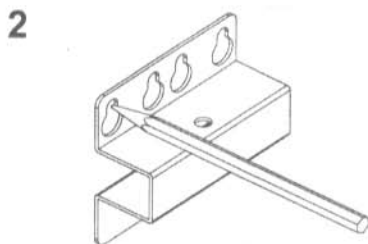
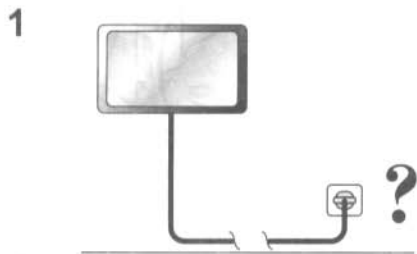
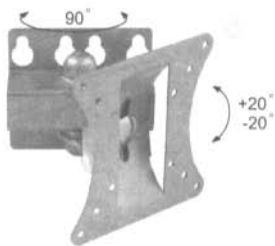


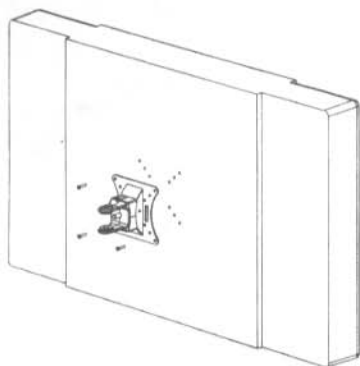
# 82-11795

 20kg (44 lbs) max.

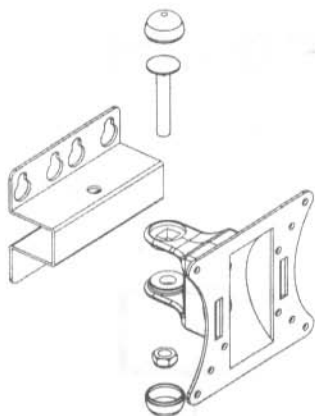
 10 - 30" (25 - 74 cm) max.



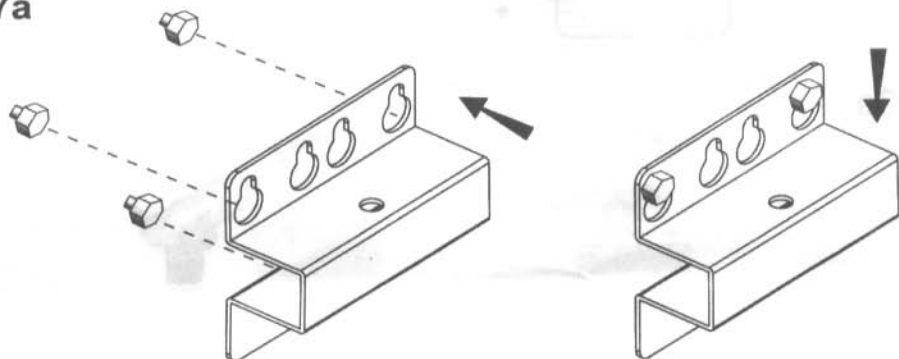
5



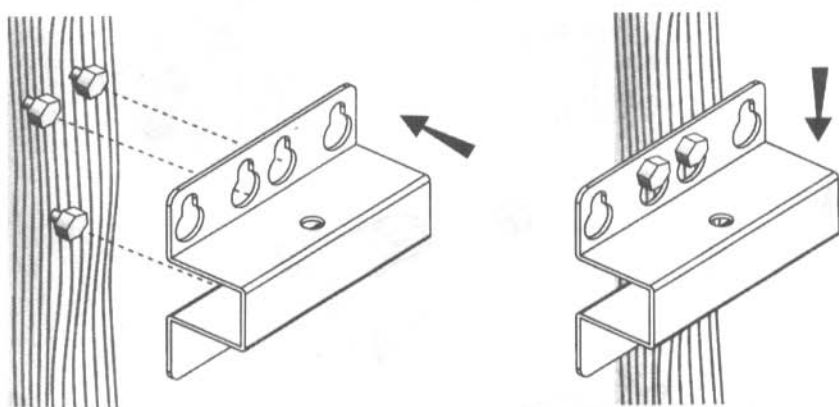
6



7a



7b



#### Safety instructions

- Never fit defective parts
- Only suitable for walls made from: Stone, concrete, hollow blocks, solid wood or wood supports. If mounting on wood, do not use any raw plugs. Pre-drill to a depth of 2mm. The fixing material supplied is only suitable for the types of wall listed above. Walls made from other materials will require different fixing materials.
- If you are uncertain about the nature of your wall, consult an expert.