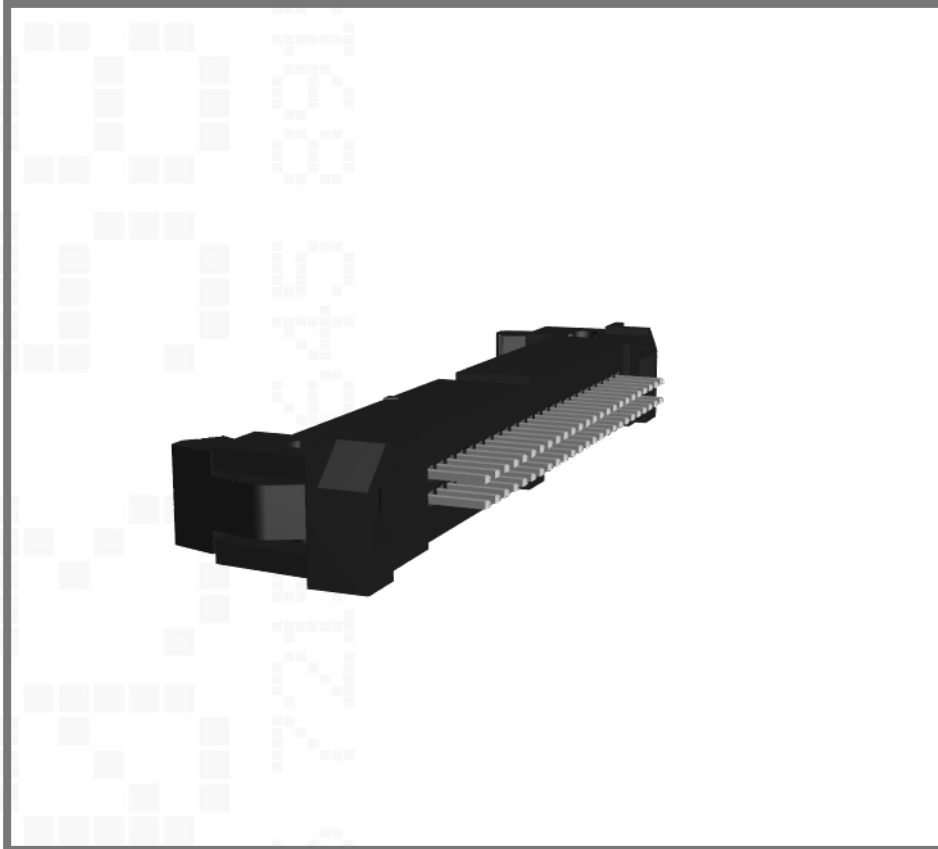


M50-3552542

1.27mm Pitch DIL Vertical Male PC Tail Connector with Ejectors



Technical Drawing:

[M50-355.pdf](#)

Website:

[M50-3552542](#)

Component Specification:

[C029XX](#)

[Request an evaluation sample](#)

Dual row, 2.7mm tail, Selective Gold & Tin, 25+25 contacts