



Datenblatt - Fiche technique - Data sheet

**11.09.4333**

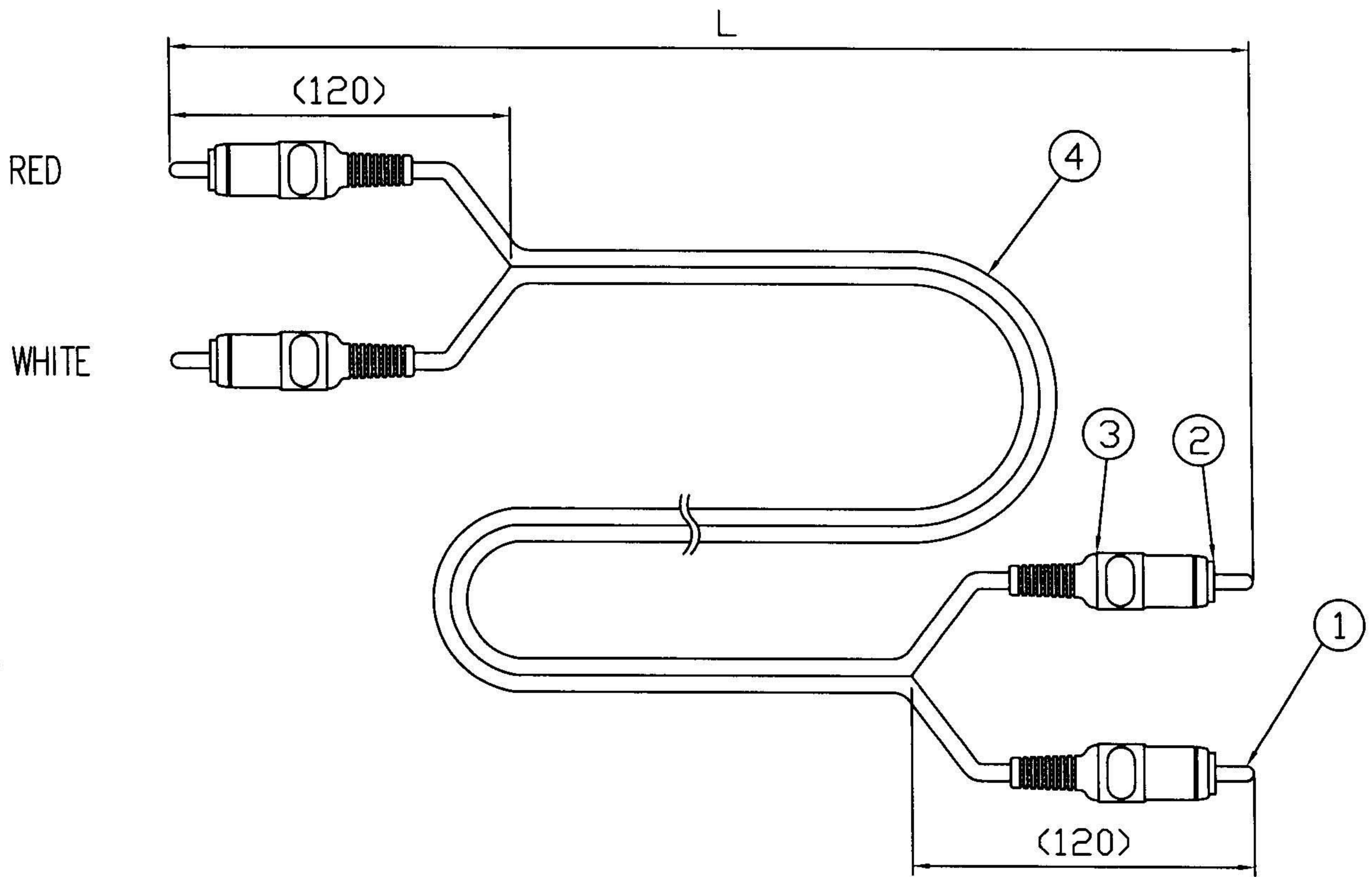


ROLINE Cinch-Verbindungskabel duplex ST/ST, 2,5m

ROLINE Câble 2x RCA M/M, 2,5m

ROLINE Cinch Extension Cable, 2x RCA M-M, 2.5 m

# 1. DIMENSION



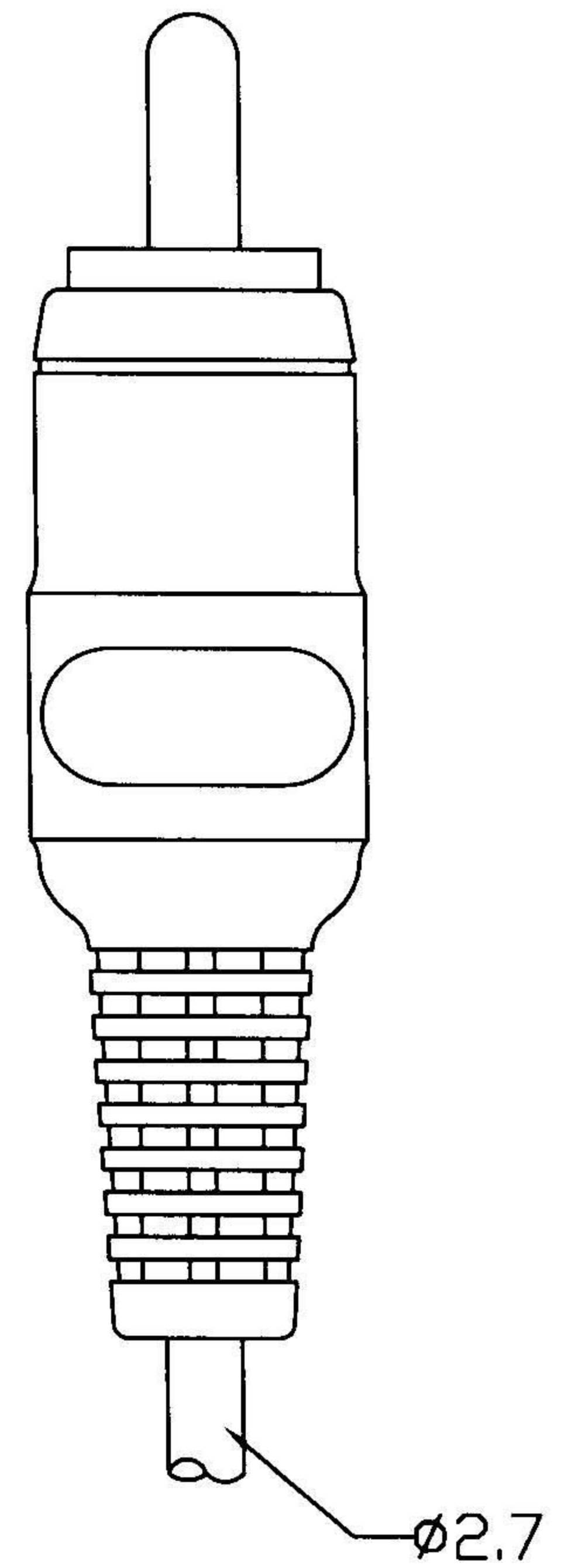
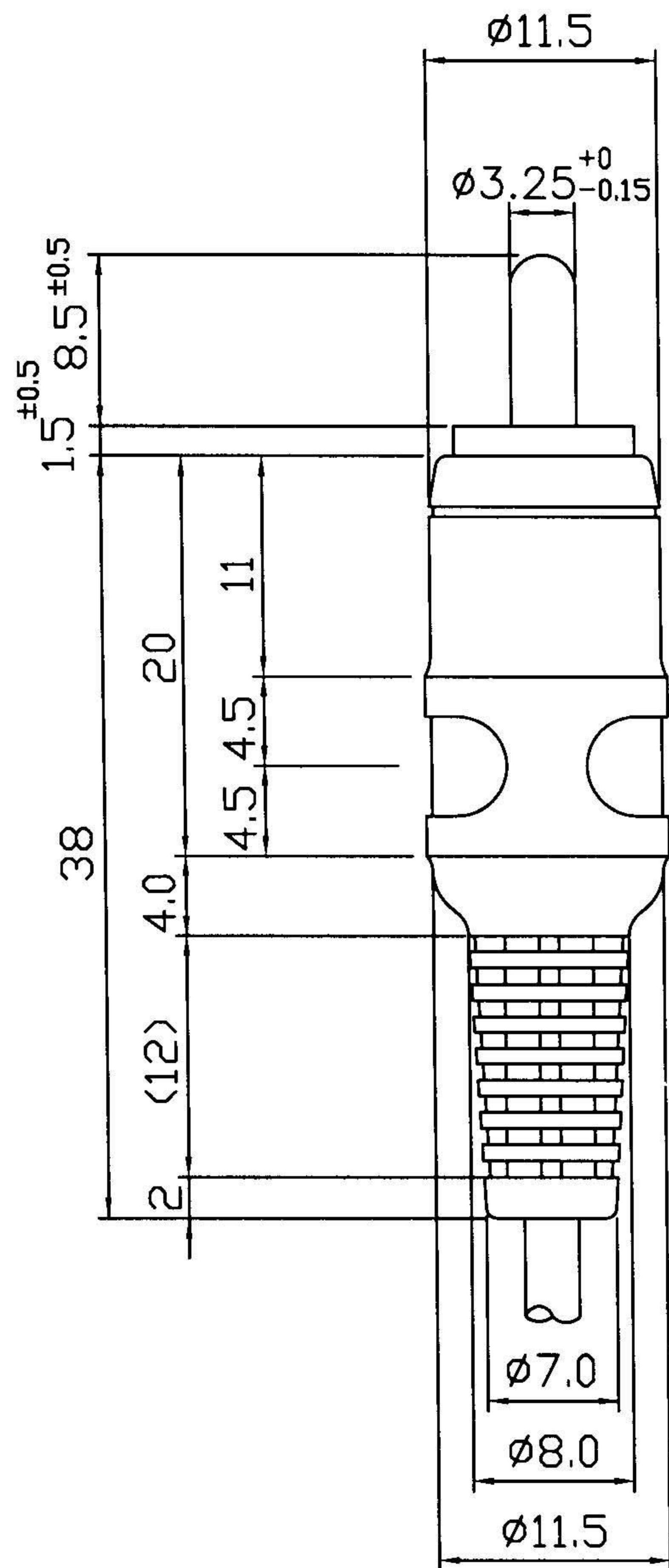
Item no.	L
11.09.4333	2500±50
11.09.4336	5000±150
11.09.4338	10000±200

# 2. PART LISTS

4	CABLE $\phi 2.7 \times 2.7$	PVC (BLACK)
3	RCA PLUG CAP	PVC (RED)(WHITE)
2	RCA RING	C2680R NICKEL PLATED
1	RCA PIN	C2680R NICKEL PLATED
NO.	PART'S NAME	MATERIAL. FINISHED. COLOR

△					表面 FINISHED		Rotronic Co., Ltd.
△					顏色 COLOR		
△					厚度 THICKNESS		
△					處理 PROCESS		
△					材質 MATERIAL		
△					公差 TOLERANCE		
△					比例 SCALE		
△					單位 UNIT	<i>mm</i>	
記號 MARK	修正 REVISION	日期 DATE	擔當 SIGN	承認 APPO	件 號	PART NO 11.09.4333,36,38	AUDIO CONNECTION CABLE
承 認	檢 圖	設 計	製 圖	DRAWN BY 何俊昇	名 稱	DESCRIPTION.	
APPROVED BY 許文勳	CHECKED BY 許文勳	DESIGNED BY 許文勳	DRAWN BY 何俊昇	DATE 03.04.29	圖 號	DRAWN NO. SP-1314	SHEET 1/5

### 3. RCA PLUG DIMENSION



STS-3

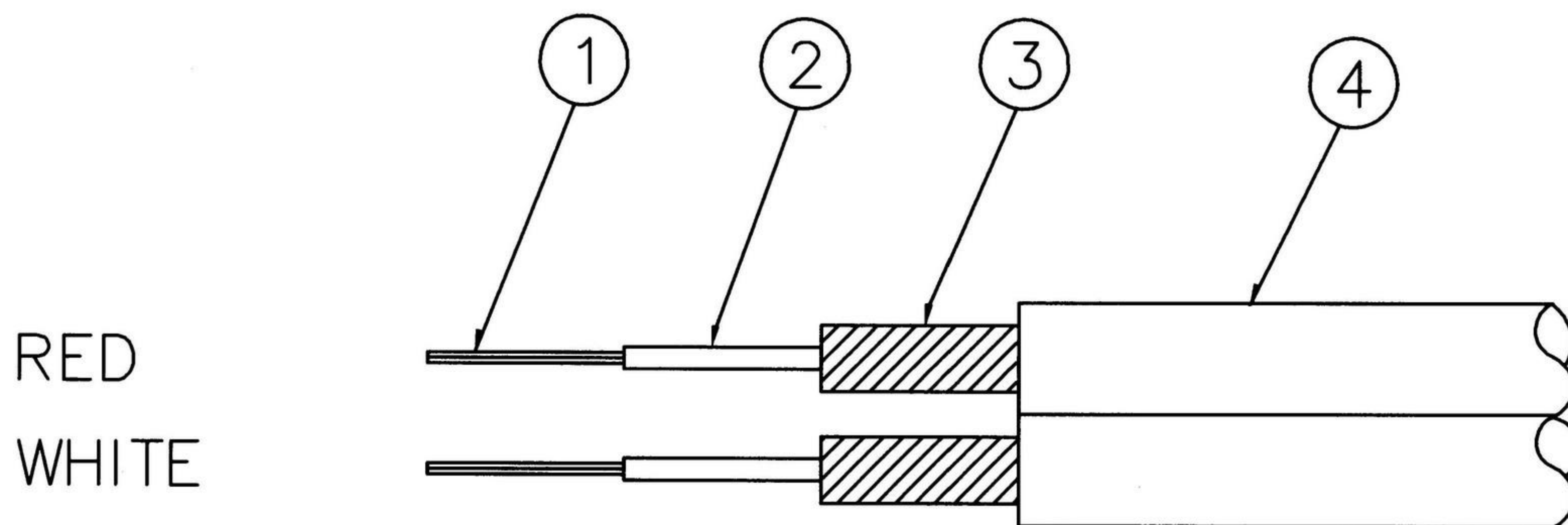
$L \leq 4$	$\pm 0.2$
$4 < L \leq 16$	$\pm 0.3$
$16 < L \leq 63$	$\pm 0.4$
$63 < L \leq 250$	$\pm 0.5$
$250 < L$	$\pm 0.7$

名稱 DESCRIPTION.  
**AUDIO CONNECTION CABLE**

圖號 DRAWN NO.  
**SP-1314**

SHEET  
**2**

# 4 CORD SPEC



	DESCRIPTION	MATERIAL	SPECIFICATION
①	CONDUCTOR	OFC COPPER	0.12*10*2C
②	CORE DIA.	PE(R)(W)	$\phi 1.3^{\pm 0.1}$ *2C
③	SHIELD WIRE	OFC COPPER	0.12*28*2C
④	JACKET	PVC	$\phi 2.7^{\pm 0.1}$ * $2.7^{\pm 0.1}$ mm
	NON MIGRATION	BLACK	FOR ABS PLATE

名稱	DESCRIPTION. <b>AUDIO CONNECTING CABLE</b>	圖號	DRAWN NO. <b>SP-1314</b>	SHEET <b>3</b>
----	---	----	-----------------------------	-------------------

# 5. CHARACTERISTICS

## STANDARD ATMOSPHERIC CONDITIONS

UNLESS OTHERWISE SPECIFIED, THE STANDARD RANGE OF ATMOSPHERIC CONDITIONS FOR MAKING MEASUREMENTS AND TESTS ARE AS FOLLOWS:

AMBIENT TEMPERATURE : 5°C TO 35°C  
 RELATIVE HUMIDITY : 45% TO 85%  
 AIR PRESSURE : 86KPa TO 106KPa

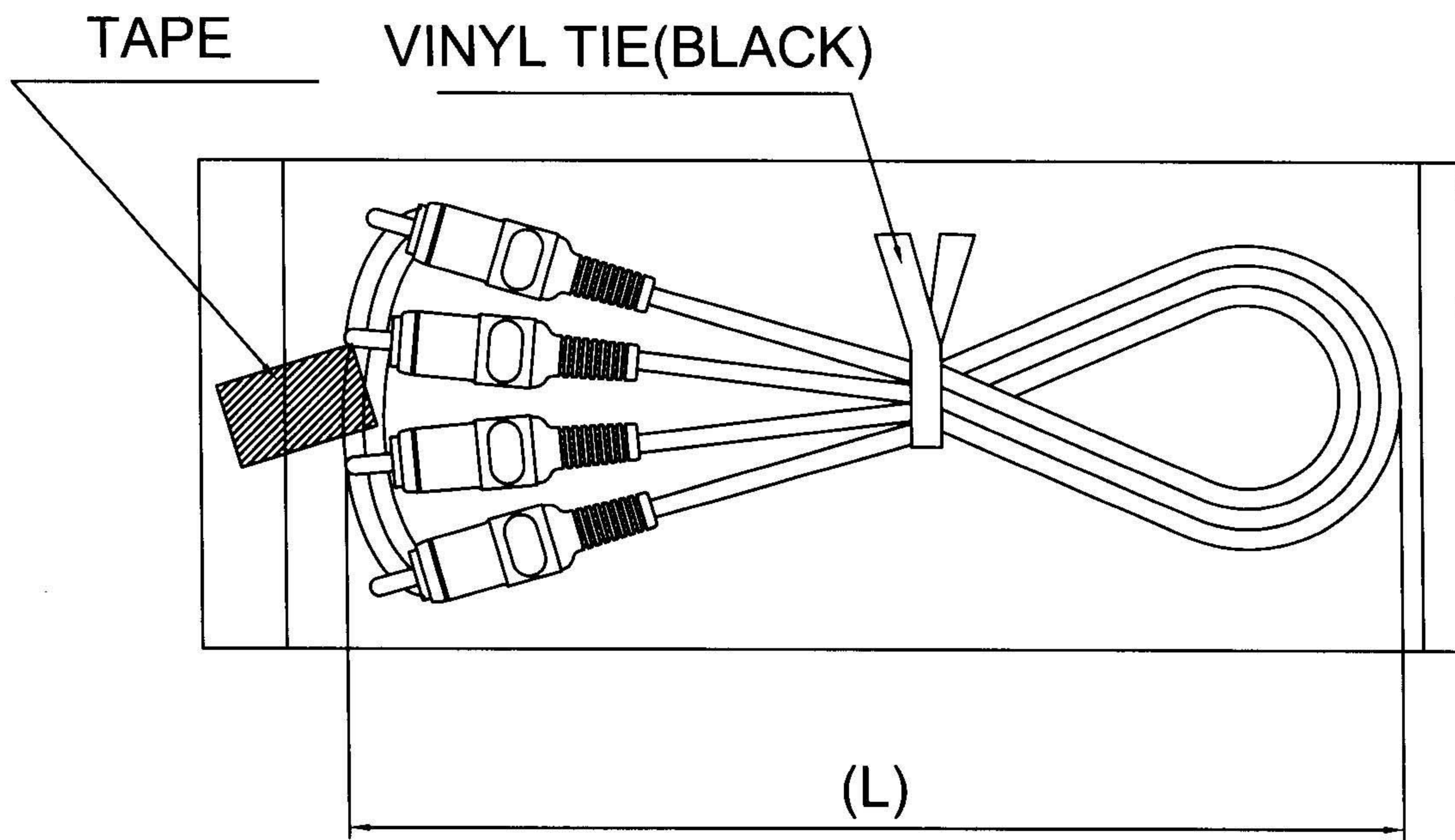
IF THERE IS ANY DOUBT ABOUT THE RESULTS. MEASUREMENTS SHALL BE MADE WITHIN THE FOLLOWING LIMITS:

AMBIENT TEMPERATURE : 20±2°C  
 RELATIVE HUMIDITY : 60% TO 70%  
 AIR PRESSURE : 86KPa TO 106KPa

NO	ITEMS	CONDITIONS	SPECIFICATIONS
1	APPEARANCE		NO DEFECTS SUCH AS CRACKS, SCRATCHES OR BLEMISHES.
2	INSERTION FORCE WITHDRAWAL FORCE	MEASUREMENT SHALL BE MADE AFTER INSERTING INTO ITS MATING PLUG OR SOCKET 3 TIMES. RCA PLUG	2.94N(0.3Kgf) ~ 29.4N(3.0Kgf)
3	TENSILE STRENGTH	BETWEEN CABLE & CONNECTOR 29.4N(3.0KGF) , 1 MINUTE	NO DAMAGE SUCH AS DISPLACEMENT OR INSULATION DAMAGE,ETC
4	FLEXING TEST	500G, 60° ,1000TURNS 15~20/PER MIN TURNS	NO DAMAGE SUCH AS DISPLACEMENT OR INSULATION DAMAGE,ETC
5	INSULATION RESISTANCE	DC 250V 1 MINUTE BETWEEN CONDUCTORS	50 MΩ OR MORE
6	DIELECTRIC STRENGTH	AC 250V SHALL BE APPLIED FOR 1 MINUTE WITH TRIP CURRENT 2 mA BETWEEN CONDUCTORS	WITHOUT DAMAGE SUCH AS ELECTRIC BREAKDOWN
7	ABS NON-MIGRATION	TEMPERATURE : 54 ± 1 °C TIME : 24± 1H WEIGHT : 500 ±25 G	WHEN VISUALLY INSPECTED. ANY STAINING OF THE AREA OF THE ABS THAT WAS IN CONTACT WITH THE TEST PIECES SHALL HARDLY BE RECOGNIZED

名稱	DESCRIPTION. <b>AUDIO CONNECTION CABLE</b>	圖號	DRAWN NO. <b>SP-1314</b>	SHEET <b>4</b>
----	---	----	-----------------------------	-------------------

# 6. PACKAGE



Item no.	(L)
11.09.4333	156
11.09.4336	156
11.09.4338	156

名稱	DESCRIPTION. <b>AUDIO CONNECTION CABLE</b>	圖號	DRAWN NO. <b>SP-1314</b>	SHEET <b>5</b>
----	---	----	-----------------------------	-------------------