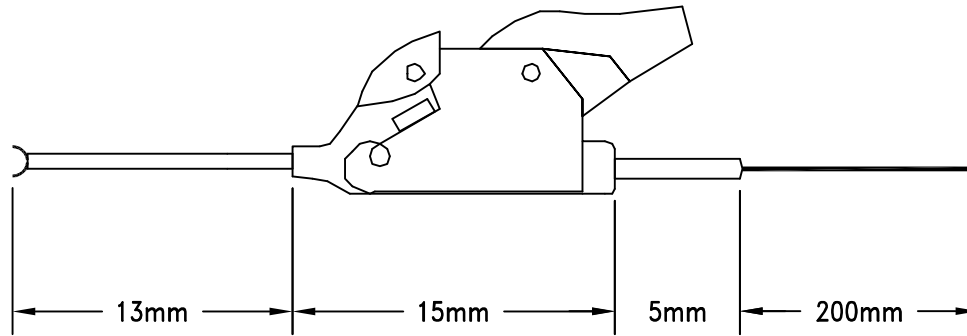
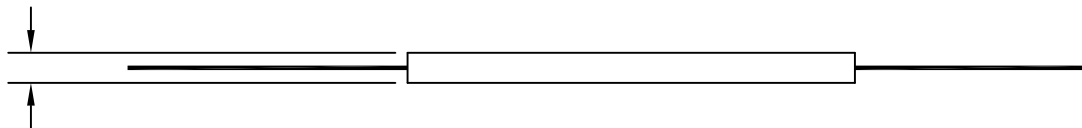


REV	DESCRIPTION	DATE	BY
A	NEW DRAWING	07/05/00	M.D.
B	UPDATED DWG & ADDED SIDE VIEW	09/06/02	H.N.

F5735
DOD 35735

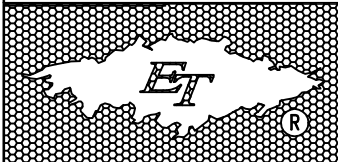


.079 [2.00mm] APROX.



NOTE:
GRIPPER COLOR BODY LONG 1.25-3.00MM WITHCORD

ALL DIMENSIONS ARE IN INCHES UNLESS OTHERWISE SPECIFIED



Emulation Technology, Inc.

— VLSI and SMT ADAPTERS and ACCESSORIES —

2344 Walsh Avenue, Bldg.F TEL:(408)982-0660
Santa Clara, Ca 95051 FAX:(408)982-0664

SHEET: 1 OF 1	DATE: 09/06/02	REVISION: B	ASSEMBLY DRAWING
CHECKED: Perry Munroe	DRAWN: Huy Nguyen	ITEM: FP-LA1C-10	
Scale N/A	DO NOT SCALE DRAWING	DESCRIPTION: FP-LA1C-10	