

# Blade Terminal & Special Purpose Fuses

Low Voltage

## RoHS MIDI® FUSE



The MIDI® Fuse offers a bolt-on space saving fuse for high current wiring protection and provides time delay characteristics with "Diffusion Pill Technology". The MIDI Fuse was designed and patented by Littelfuse.

### ELECTRICAL CHARACTERISTICS:

% of Ampere Rating	Ampere Rating	Opening Time
100%	30-125A	100 hours, <b>Minimum</b>
110%	30-125A	4 hours, <b>Minimum</b>
150%	30-125A	90 sec., <b>Min.</b> ; 3600 sec., <b>Max.</b>
200%	30-125A	5 sec., <b>Min.</b> ; 100 sec., <b>Max.</b>
	150-200A	1 sec., <b>Min.</b> ; 15 sec., <b>Max.</b>
300%	30-125A	.5 sec., <b>Min.</b> ; 15 sec., <b>Max.</b>
	150-200A	.3 sec., <b>Min.</b> ; 3 sec., <b>Max.</b>

**AGENCY APPROVALS:** Recognized under the components program of Underwriters Laboratories.

**AGENCY FILE NUMBERS:** E71611

**INTERRUPTING RATINGS:** 1000 amperes at 32 VDC

**VOLTAGE RATINGS:** 32 VDC

**AMBIENT TEMP.:** -40°C to +125°C

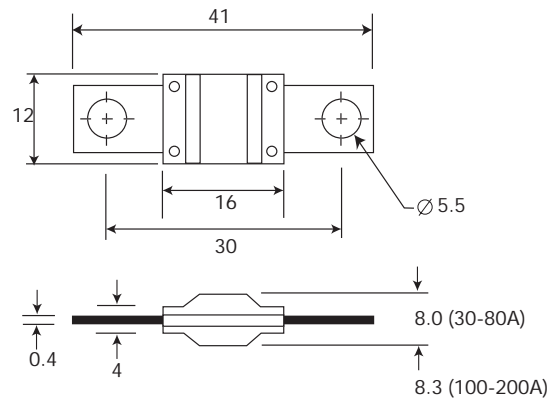
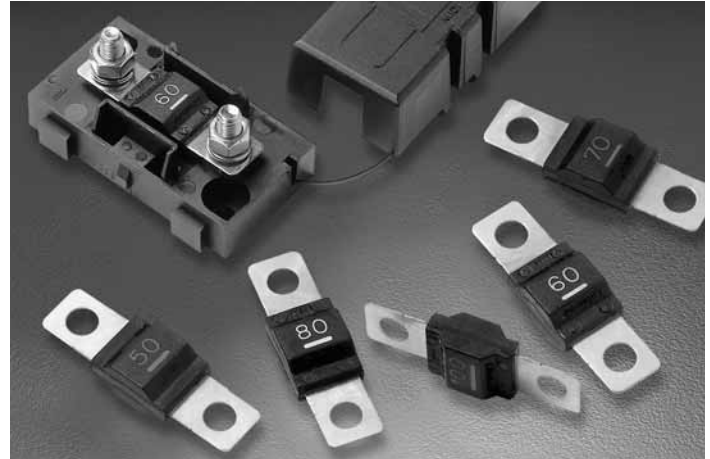
**PATENTED**

**INTERRUPTING RATING:**

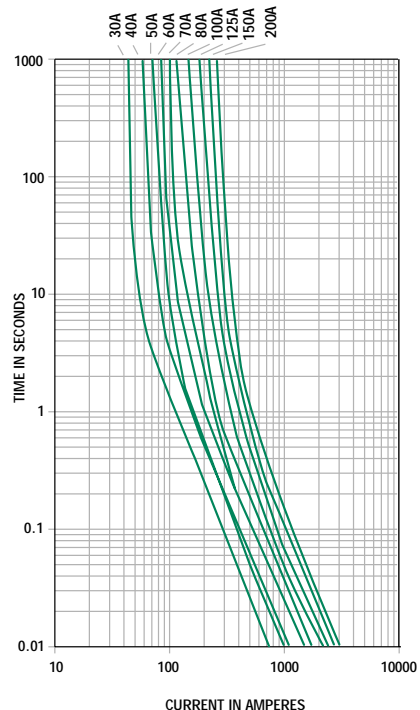
1000A @ 32 VDC

**ORDERING INFORMATION:**

Catalog Number	Ampere Rating	Voltage Rating (VDC)	Nominal Cold Resistance (mΩ)
0498 030	30	32	2.1
0498 040	40	32	1.3
0498 050	50	32	1.04
0498 060	60	32	0.87
0498 070	70	32	0.72
0498 080	80	32	0.56
0498 100	100	32	0.45
0498 125	125	32	0.40
0498 150	150	32	0.33
0498 200	200	32	0.25



Average Time Current Curves



## MIDI® FUSE Fuseholders

**ORDERING INFORMATION:** Catalog Number 498900.

### SPECIFICATIONS:

**Electrical:** Use with MIDI® Fuses from 30 to 200 amps. (32V)

**Body:** Glass Filled Thermoplastic

**Body Color:** Black

**Cover With Tether:** Glass Filled Thermoplastic

**Cover Color:** Black

**Ambient Temp.:** -40°C to +125°C

**Fuse Mounting:** M5 Threaded Stud and Hex Nuts

**Cable Positions:** Optional

**Side Stackable Feature**

