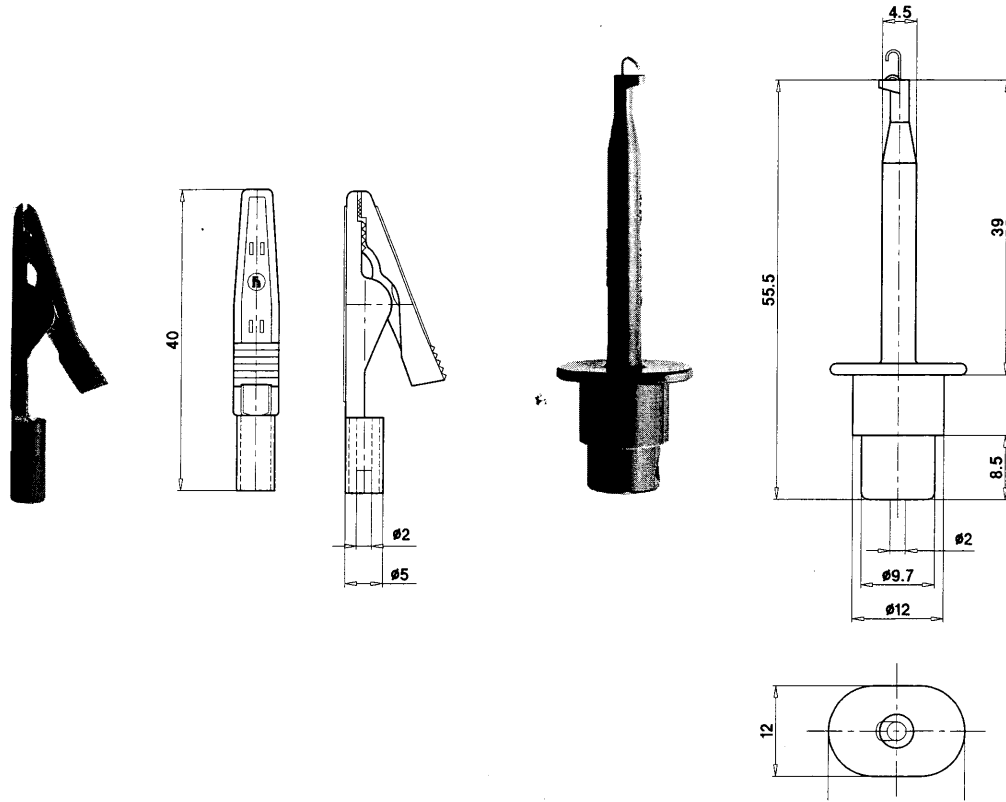


AGK40:
Miniature crocodile clip with unbreakable insulation. Fine-wire gripping surface, made of brass, tin-plated. ø 2 mm socket.

KPS1/B2:
Fine hook clip. The fine wire connecting hook grasps IC legs, plug pins and bare wire connections, and presses them against the insulating head under spring pressure. The low weight of the clips places hardly any load even on critical contacts. ø 2 mm rigid socket in handle for accepting ø 2 mm spring-loaded plugs.



Type	AGK40	KPS1/B2
Insulation	PE	PA
Operating temperature	-25°C ... +80°C	-25°C ... +70°C
Clip	fine-wire gripping surface, brass, tin-plated	hook clip
Clamping limit	3 mm	2 mm
Terminal	ø 2 mm rigid socket	ø 2 mm rigid socket
Standard colours*	21 - 22	21 - 25, 29
Order No.	24.0154-*	24.0139-*

152 427

*Colour code	20	21	22	23	24	25	26	27	28	29	30	33
	green-yellow	black	red	blue	yellow	green	violet	brown	grey	white	orange	transparent