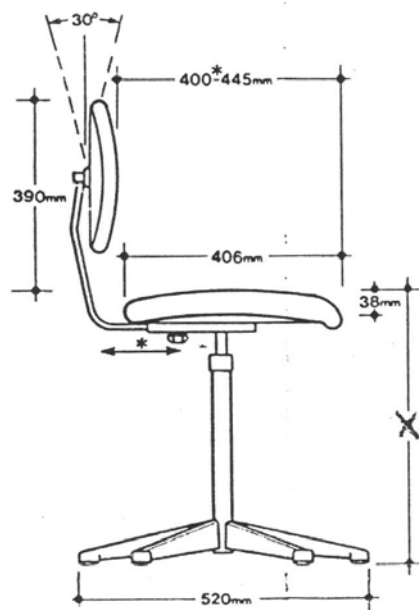


| | | | | |
|-----------------|-------------|--------------------------------|-------------------|-------------|
| Vermason | | Product Information No PIS 112 | | |
| Bin 22 | Page 1 of 1 | Issue No 5 | Date 26 June 2000 | Approved by |

STANDARD CHAIR
Code J912C and J913C
FEC Part No 877694 and 877700

These conductive chairs are built to have a conductive path from the seat and backrest through the feet to the floor.

They use a five-star base that is finished in a grey/green stove enamelled paint. The chair covering is a hard wearing, grey dissipative cloth. The chair is adjustable within the following approximate dimensions.



| | |
|-------|------------|
| Code | x = |
| J912: | 460-580 mm |
| J913: | 630-760 mm |

Electrical properties: R_G from back rest and squab = 10^5 to $10^7 \Omega$.

For further information, please contact
Vermason Ltd, 1 Avenue One, Letchworth, Hertfordshire SG6 2HB. UK
Tel: +44(0)1462 672005 Fax: +44(0)1462 670440
e-mail : sales@vermason.co.uk
www.vermason.co.uk