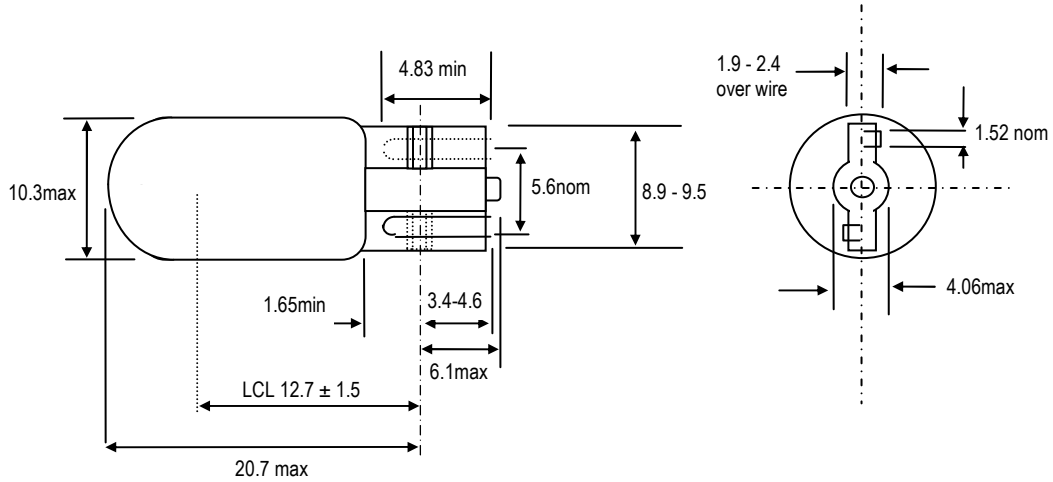


Description : **T-3¼(10mm) Wedge base lamp 12V 6W**

Dimensional Characteristics :



Glass components are lead-free

Bead colour: Clear
 Filament construction: C-2R
 Gas fill : Xenon
 All dimensions in mm

Marking

**CML xy
 12V 6WX**

(where xy is a manufacturing date code)

Performance Characteristics @ 13.5 volts

	Nominal	Minimum	Maximum
Current(mA)	444	400	488
Light output(Lm)	85	68	102
Life(hrs)	1,000		