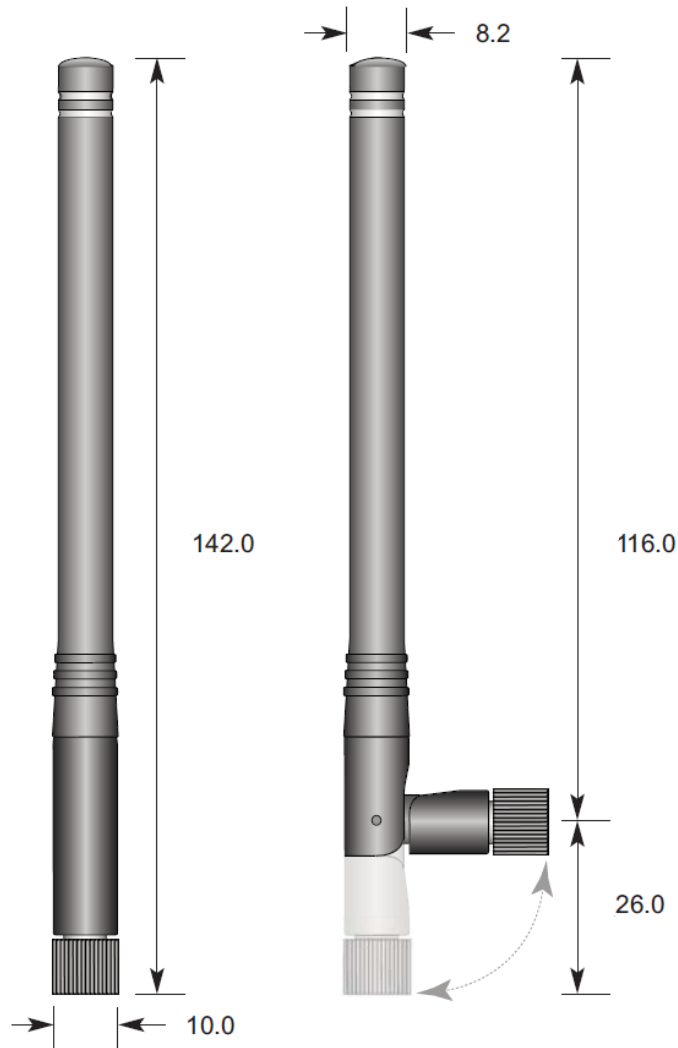


1/2 Wave Dipol Antenna

868 MHz SRD Band



Specifications

Center frequency	868 MHz
Frequency range	853 to 883 MHz
Wavelength	1/2 wave
VSWR	≤ 2.0
Impedance	50 Ohms
Connector	SMA

Ordering information

Item no.	Description
AMB1981	Antenna 868 MHz with articulating base

Contact

AMBER wireless GmbH
 Albin-Koebis-Strasse 18
 51147 Cologne, Germany
 Tel.: +49 2203 6991950
 E-mail: info@amber-wireless.de
 Internet: www.amber-wireless.de