

Cord retaining strain relief



4700.00XX



Description

- Front Panel :
Screw-on from front side
- 1 Function :
Protection against accidental disconnection of the plug

Weblinks

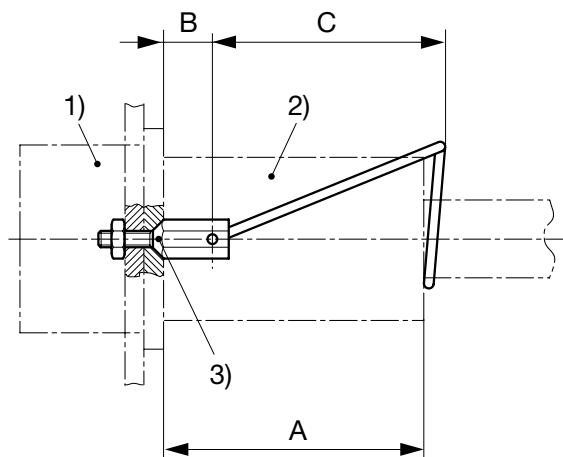
[pdf datasheet](#), [html-datasheet](#), [General Product Information](#), [Approvals](#), [CE declaration of conformity](#), [RoHS](#), [CHINA-RoHS](#), [REACH](#), [Distributor-Stock-Check](#), [Accessories](#), [Detailed request for product](#)

For protection against loosening or accidental disconnection of the plug connector. Can also be mounted later. The correct kit type respectively the corresponding Order No. for each combination of fixed and free components is shown in the selection chart. Horizontal flanged components are secured to the panel using the kit supplied. Vertical flanged or snap-in components require additional drilling for the cord retaining kit as shown in the diagrams below.

The kits with the part number 4700.00XX consist of:

- 1 Stainless steel retaining clip
- 2 Nickel plated brass pillars
- 2 Nickel plated brass nuts
- 2 Nickel plated beryllium copper crinkle washers

Dimension [mm]



(Details see overview table and table of variants)

1) Inlet/Outlet 2) Plug/Connector 3) Design

Type	Appliance inlet/outlet						Cord plug /connector							
	Snap-in Mounting	Screw-on Mounting	Mounting from Frontside	Mounting from Rearside	Outlet	Inlet	Panel Thickness	Type	4781	4782	4795	4732	4735	4796
								Dimension A	48	48	38	39	43	40
								Plug	•	•	•	•	•	•
Connector	•	•	•											
1621		•	•			•						K		
4707		•	•			•		B	B					
4721		•	•			•						D		
4721		•	•			•							F	
4723	•		•			•						E		
4723	•		•			•							G	
4752	•		•			•						E		
4752	•		•			•							G	
4754	•		•			•						E		
4754	•		•			•							G	
4754	•		•			•		H	H					
4758	•		•			•						E		
4758	•		•			•							G	
4758	•		•			•		H	H					
4793		•	•			•					L			
4797	•		•			•								L
4797		•	•			•								J
4798		•	•			•					K			
5110	•		•			•		A	A					
5110		•	•			•		C	C					
5120	•		•			•		G	G					
5120		•	•			•		G	G					
5120		•	•		•	•	> 5 mm	E	E					
5120		•	•		•	•	< 3 mm	G	G					
5150	•		•			•		G	G					
5150		•	•			•		G	G					
5150		•	•		•	•	> 5 mm	E	E					
5150		•	•		•	•	< 3 mm	G	G					
5130	•		•			•					L			
5130		•	•			•					L			
5130		•	•		•	•	< 3 mm				L			
5200		•	•			•		B	B					
5216		•	•			•								L
5220		•	•			•		B	B					
6100	•		•			•		A	A					
6100		•	•			•		C	C					
6110	•		•			•		A	A					
6110		•	•			•		C	C					
6135	•		•			•		A	A					
6200	•		•			•		A	A					
6200		•	•			•		B	B					
6220	•		•			•		A	A					
6220		•	•			•		B	B					
6600	•		•			•						E		
6600	•		•			•							G	
6600		•	•			•						D		
6600		•	•			•							F	
6610	•		•			•						E		
6610	•		•			•							G	
0723		•	•			•								J
C20F	•		•			•					L			
C20F		•	•			•					L			
C20F		•	•		•	•	< 3 mm				L			
CD	•	•	•			•		A	A					
CE	•	•	•			•		A	A					
CG	•	•	•			•		A	A					
DA22		•	•		•	•		H	H					
DC11	•		•			•		A	A					
DC11		•	•			•		B	B					
DC12	•		•			•		A	A					
DC12		•	•			•		B	B					
DC12		•	•		•	•		A	A					
DC21		•	•			•		G	G					
DC22		•	•		•	•		H	H					
DD11		•	•			•		A	A					
DD11		•	•		•	•	< 3 mm	A	A					
DD12		•	•			•		A	A					
DD12		•	•		•	•	< 3 mm	A	A					
DD21		•	•		•	•	< 3 mm	A	A					
DD22		•	•		•	•	< 3 mm	A	A					

Type	Snap-in Mounting	Screw-on Mounting	Appliance inlet/outlet		Outlet	Inlet	Panel Thickness	Cord plug /connector							
			Mounting from Frontside	Mounting from Rearside				Type	4781	4782	4795	4732	4735	4796	
								Dimension A	48	48	38	39	43	40	
								Plug				•	•	•	
								Connector	•	•	•				
EC11		•	•			•							M		
EC12		•			•	•							M		
EF11		•			•	•							M		
EF12		•			•	•							M		
Felcom 54	•		•			•			A	A					
Felcom 54	•		•			•							E		
Felcom 54	•		•			•								G	
Felcom 64	•		•			•			A	A					
Felcom 64	•		•			•							E		
Felcom 64	•		•			•								G	
KD	•	•	•			•			A	A					
KE	•	•	•			•			A	A					
KEA	•		•			•			A	A					
KEA		•	•			•			B	B					
KEB1	•		•			•			A	A					
KEB1		•	•			•			B	B					
KEB2	•	•	•			•			A	A					
KEC	•	•	•			•			A	A					
KFA	•		•			•			A	A					
KFA		•	•			•			B	B					
KFA		•	•	•		•			A	A					
KFB1		•	•			•			B	B					
KFB2	•	•	•			•			A	A					
KFC	•	•	•			•			A	A					
KFS		•	•			•			C	C					
KFX		•	•			•			C	C					
KG		•	•			•			A	A					
KM	•		•			•			A	A					

All Variants

Kit	Type	B [mm]	C [mm]	D [mm]	E [mm]	Order Number
-	Flat head	5	36	36	3.4	0888.0005
-	Flat head	11.5	36	36	3.4	0888.0016
-	Countersunk	3	35	36	3.4	0888.0001
-	Countersunk	3.5	36	36	3.4	0888.0004
-	Countersunk	9	36	36	3.4	0888.0015
-	Countersunk	6.5	36	36	3.4	0888.0017
A	Flat head	8	45	40	3.4	4700.0001
B	Countersunk	8	45	36	3.4	4700.0002
C	Countersunk	6.5	45	40	3.4	4700.0003
D	Countersunk	2.5	40	40	3.4	4700.0004
E	Flat head	4.5	40	42	3.4	4700.0005
F	Countersunk	2.5	45	40	3.4	4700.0006
G	Flat head	4.5	45	40	3.4	4700.0007
H	Flat head	5.5	45	39	3.4	4700.0008
J	Countersunk	6.5	37	45	3.4	4700.0009
K	Countersunk	5	37	42	3.4	4700.0010
L	Flat head	5.5	37	42	3.4	4700.0011
M	Flat head	5.5	40	42	3.4	4700.0012

Most Popular.

Availability for all products can be searched real-time: <http://www.schurter.com/en/Stock-Check/Stock-Check-SCHURTER>

Packaging unit 50 Pcs