

**PLEASE CHECK WWW.MOLEX.COM FOR LATEST PART INFORMATION**

**Part Number:** **0480749101**  
**Status:** **Active**  
**Overview:** Magnetic Modular Jacks  
**Description:** Modular Jack, Right Angle, Surface Mount, with Integrated Magnetics and LED, with all Panel Grounding Tabs, 8/8, Lead-Free

**Documents:**

<a href="#">3D Model</a>	<a href="#">Product Specification TS-48074-006-001 (PDF)</a>
<a href="#">Drawing (PDF)</a>	<a href="#">Packaging Specification PK-48074-101 (PDF)</a>
<a href="#">Product Specification PS-48074-006-001 (PDF)</a>	<a href="#">RoHS Certificate of Compliance (PDF)</a>

**General**

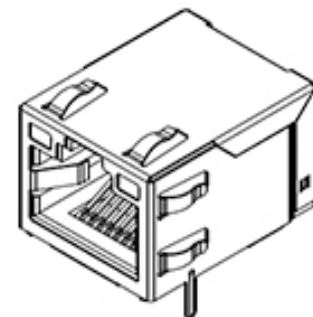
Product Family	Modular Jacks/Plugs
Series	<u>48074</u>
Comments	With LED Surface Mount Type
Component Type	PCB Jack
Magnetic	Yes
Overview	<u>Magnetic Modular Jacks</u>
Performance Category	5, 5e
Power over Ethernet (PoE)	Non-PoE
Product Name	Modular Jack 8/8, RJ45
UPC	887191646923

**Physical**

Boot Color	N/A
Color - Resin	Black
Durability (mating cycles max)	750
Inverted / Top Latch	Yes
Jack Height	13.30mm
Keying to Mating Part	Yes
Lightpipes/LEDs	LEDs
Material - Metal	Brass, Phosphor Bronze
Material - Plating Mating	Gold
Material - Plating Termination	Tin
Material - Resin	High Temperature Thermoplastic
Net Weight	5.600/g
Orientation	Right Angle (Side Entry)
PCB Locator	Yes
PCB Retention	Yes
PCB Thickness - Recommended	1.60mm
Packaging Type	Embossed Tape on Reel
Pitch - Mating Interface	1.02mm
Pitch - Termination Interface	1.02mm
Plating min - Mating	0.762µm
Plating min - Termination	2.540µm
Ports	1
Positions / Loaded Contacts	8/8
Surface Mount Compatible (SMC)	Yes
Temperature Range - Operating	-40°C to +85°C
Termination Interface: Style	Surface Mount
Waterproof / Dustproof	No
Wire/Cable Type	N/A

**Electrical**

Current - Maximum per Contact	1.5A
Grounding to PCB	Yes
Grounding to Panel	With All Panel Grounding Tabs



*Series image - Reference only*

**EU ELV**

**Not Relevant**

**EU RoHS**

**Compliant**

**REACH SVHC**

Not Contained Per -  
ED/30/2017 (7 July  
2017)

**Halogen-Free**

**Status**

**Not Low-Halogen**

**Need more information on product environmental compliance?**

Email [productcompliance@molex.com](mailto:productcompliance@molex.com)  
Please visit the [Contact Us](#) section for any non-product compliance questions.

China ROHS

ELV

RoHS Phthalates

Green Image

Not Relevant

Not Contained

**Search Parts in this Series**

48074 Series

**Mates With**

FCC 68 Plugs

Shielded  
Voltage - Maximum

Yes  
5.5V DC

**Material Info**

**Reference - Drawing Numbers**

Packaging Specification  
Product Specification  
Sales Drawing

PK-48074-101  
PS-48074-006-001, TS-48074-006-001  
SD-48074-102

This document was generated on 10/11/2017

**PLEASE CHECK [WWW.MOLEX.COM](http://WWW.MOLEX.COM) FOR LATEST PART INFORMATION**