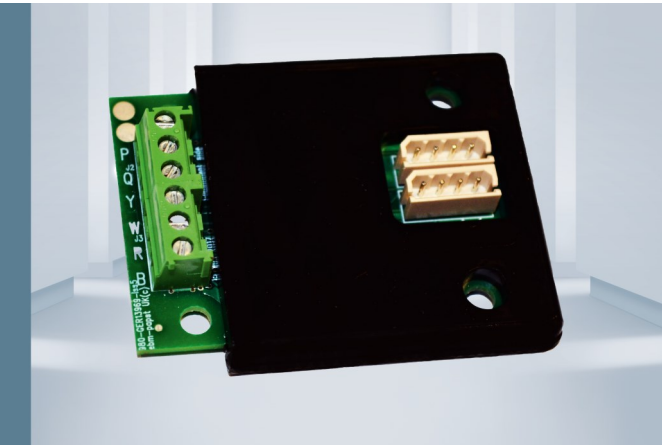


Configurable Generic Controller



— **Features:**

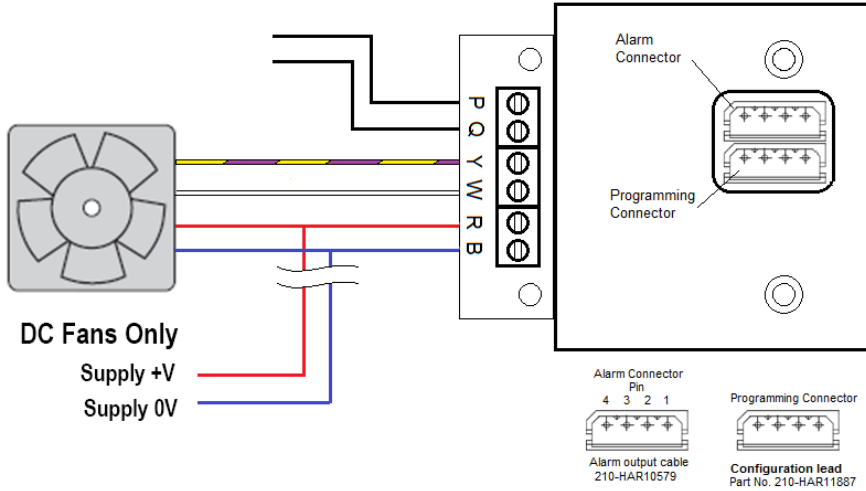
- Temperature sensitive speed control
- Alarm output, open collector interface: Fan failure, over and under-temperature, sensor failure
- Configurable temperature profile
- Graphical User Interface
- Rugged over-moulded construction

— **Accessories:**

- SN1060 thermistor lead
- 210-HAR11887 configuration lead
- 210-HAR10579 alarm lead

Part Number	Supply Voltage VDC	Temperature Profile °C	Ambient Temperature °C	Max Humidity % RH	Width mm	Height mm	Depth mm
CGCXX00000	10-57	0-63	-30 - +70	90	45	56.5	8

Connections



Connection Table	
P	Thermistor / 0-10V Input
Q	Thermistor / 0V Input
Y	PWM Speed Control Output
W	Fan Tacho Input
R	+V Supply
B	0V Supply

