



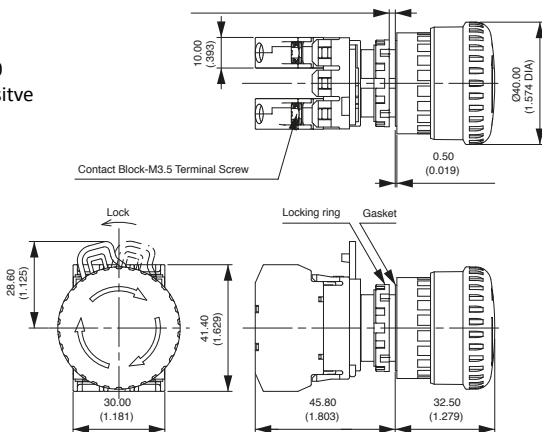
# INDUSTRIAL CONTROLS

## Emergency Stop switch including enclosure with or without illuminated halo

1

### With Illuminated Halo

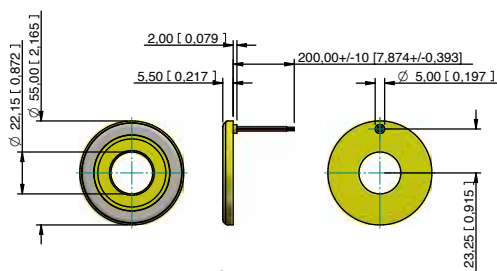
A02ESI3B102IX0  
Double pole positive  
break



+

2

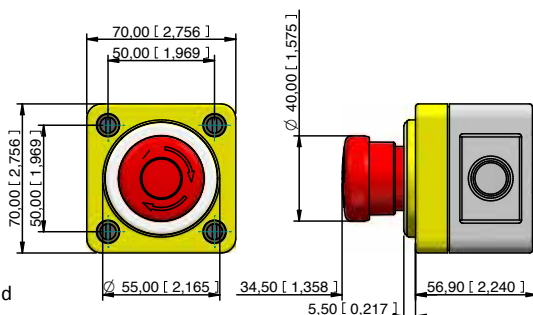
QH22L57YC  
Yellow Halo 12/24VDC  
Or  
QH22L28RGC Red/Green  
Bi-Colour Halo 12/24VDC



+

3

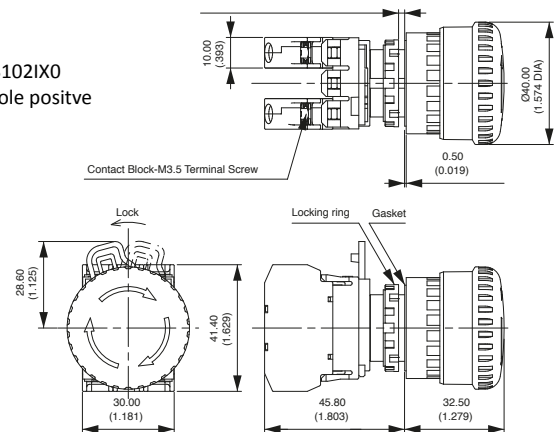
PEA01 Enclosure  
Grey body with yellow lid



1

### Without Illuminated Halo

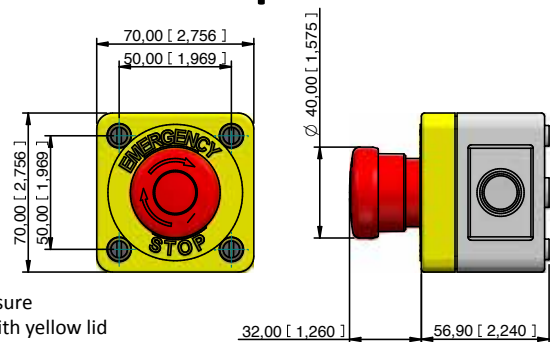
A02ESI3B102IX0  
Double pole positive  
break



+

2

PEA01 Enclosure  
Grey body with yellow lid



### Part Number Detail

Industrial Emergency Stop Switch inc Enclosure  
& Illuminated Yellow Halo Indicator.  
APEM Part Number:- A02ESI3B102IX0+PEA01+QH22L57YC

Industrial Emergency Stop Switch inc Enclosure  
& Illuminated Red/Green Halo Indicator.  
APEM Part Number:- A02ESI3B102IX0+PEA01+QH22L28RGC

Industrial Emergency Stop Switch inc Enclosure  
& Yellow Label.  
APEM Part Number:- A02ESI3B102IX0+PEA01+A01YL5