

## 360

LED task light

LUXO



The 360 task light has a distinct form and great functionality. A custom made LED module in a horizontal lamp head provides a broad, directional light. The rotating base and flexible arm takes up little space when the task light is pushed back. When fully extended, the light covers a large area, while the lamp head stays parallel with the surface – providing asymmetric and ergonomically correct workstation lighting. 360 is dimmable and has an automatic shut-off after 4 or 9h in order to save energy. The table base is included. Not available with table clamp or wall mount.

Colours: White, black or silver grey

### **LED: Light source of the future**

360 is equipped with state-of-the-art light emitting diodes, which provide bright, warm light. Light emitting diodes have an incredibly long life span. The diodes in 360 have a life expectancy of 50,000 hours. That means 25 years or more with normal office use. You may never have to change the light source!

360



360



360




---

## TECHNICAL DESCRIPTION

---



---

### LIGHT SOURCE

LED 300lumen out. Correlated colour temperature (CCT) is 3250 K, Colour rendition index (CRI) is 90.

---

### BODY MATERIAL & COLOUR

Full metal body made of zinc and aluminium. Colours: white, black, aluminium grey or purple (limited edition).

---

### MOUNTING

Standard with base. No other mounting options available.

---

### OPTICS

Asymmetric light output. White, polycarbonate reflectors.

---

### POWER SUPPLY

Plug-in 20V power supply.

---

### ARM TECHNOLOGY & MOVEMENT

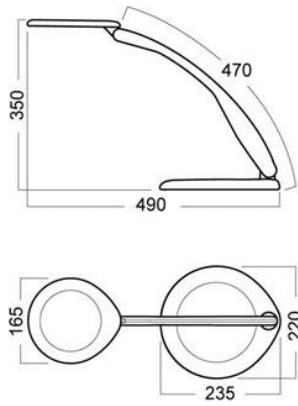
Parallel, two-pivot arm. Arm length is 47 cm. Side-to-side head movement.

---

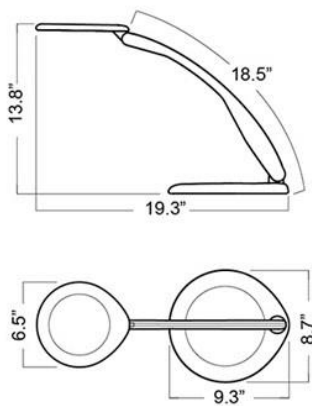
A shut-off function is incorporated within the fitting. The light will automatically shut off after 4 or 9h in order to save energy.

360

## MEASUREMENT DRAWINGS

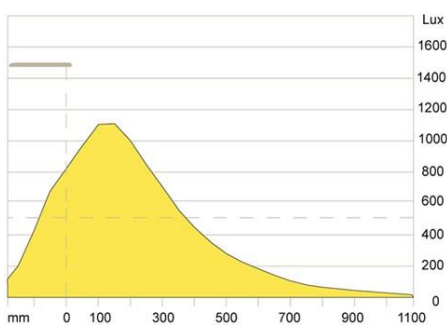


360 LED



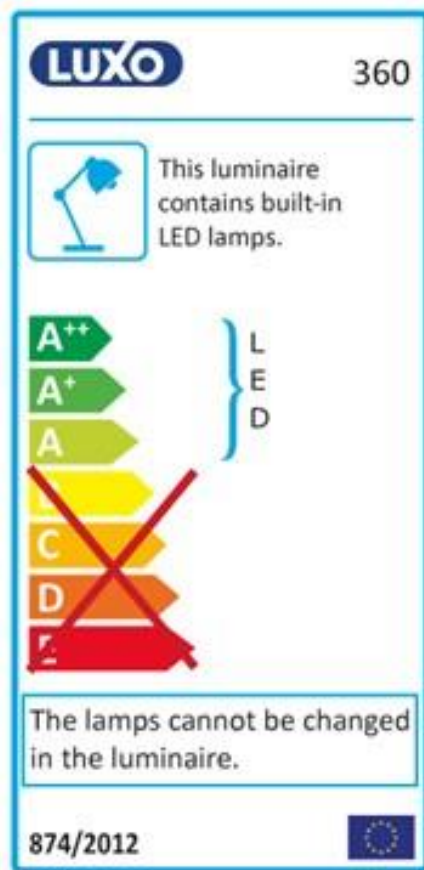
360 (USA)

## LIGHT MEASUREMENT DRAWINGS



360

## ENERGY LABEL



360

---

GALLERY

---



360

