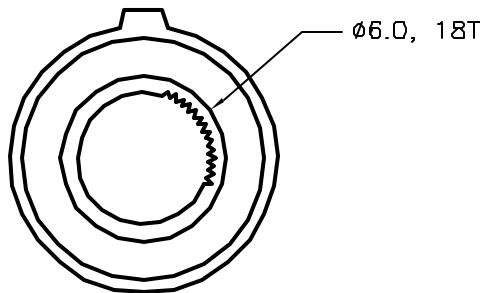
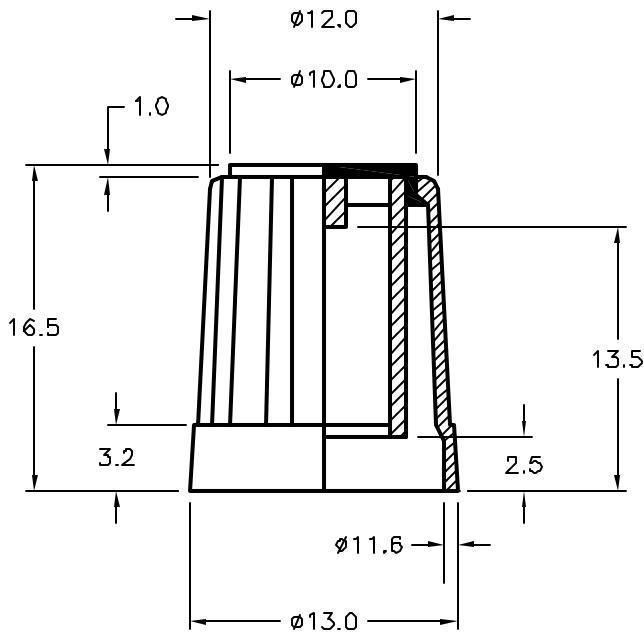
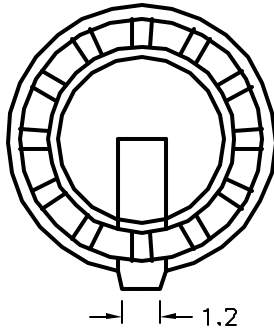


DCP #	REV	DESCRIPTION	DRAWN	DATE	CHECKD	DATE	APPRVD	DATE
1933	A	RELEASED	EO	08/07/08	JN	10/10/08	JN	10/10/08



Multicomp P/N	Cap Color
MC21063	Red
MC21064	Yellow
MC21065	Blue
MC21066	Green
MC21067	Grey


**SPECIFICATIONS**

1. MATERIAL: ABS
2. SHAFT HOLE: 6.0mm Splined shaft (18 teeth)
3. BODY COLOR: Black

SPC-F004.DWG

TOLERANCES:  UNLESS OTHERWISE SPECIFIED, DIMENSIONS ARE FOR REFERENCE PURPOSES ONLY.	DRAWN BY: EKLAS ODISH	DATE: 09/07/08	DRAWING TITLE: Dial Type Knobs, Knurled Tapered Sides, Top/Side Indicator Line, ABS w/Color Cap, Push On		
	CHECKED BY: Jason Nash	DATE: 10/10/08	SIZE A	DWG. NO. TA-789	ELECTRONIC FILE TA-789.DWG
	APPROVED BY: Jason Nash	DATE: 10/10/08	SCALE: NTS		U.O.M.: MILLIMETERS
			SHEET: 1 OF 1		REV A

ALL RIGHTS RESERVED. NO PORTION OF THIS PUBLICATION, WHETHER IN WHOLE OR IN PART CAN BE REPRODUCED WITHOUT THE EXPRESS WRITTEN CONSENT OF SPC TECHNOLOGY. DISCLAIMER: ALL STATEMENTS AND TECHNICAL INFORMATION CONTAINED HEREIN ARE BASED UPON INFORMATION AND/OR TESTS WE BELIEVE TO BE ACCURATE AND RELIABLE. SINCE CONDITIONS OF USE ARE BEYOND OUR CONTROL, THE USER SHALL DETERMINE THE SUITABILITY OF THE PRODUCT FOR THE INTENDED USE AND ASSUME ALL RISK AND LIABILITY WHATSOEVER IN CONNECTION THEREWITH.