



## Main

|                           |  |
|---------------------------|--|
| Range of product          | OsiSense XM  |
| Product or component type | Electronic pressure sensors  |
| Pressure sensor type      | Pressure transmitter   |
| Pressure sensor name      | XMEP   |
| Electrical circuit type   | Control circuit  |
| Pressure sensor size      | 60 bar   |
| Local display             | Without  |
| Controlled fluid          | Fresh water 0...125 °C<br>Air -30...125 °C<br>Hydraulic oil -30...125 °C |
| Fluid connection type     | G 1/4A (male) conforming to DIN 3852-E                                   |
| Electrical connection     | 1 male connector M12 4 pins  |
| [Us] rated supply voltage | 24 V DC SELV, voltage limits: 12...36 V                                  |
| Current consumption       | < 7 mA   |
| Type of output signal     | Analogue   |
| Analogue output function  | 0...10 V, 3-wire   |
| Quantity per set          | Set of 1   |
| Type of packing           | Individual   |

## Complementary

|   |   |
|---|---|
| Pressure setting range                  | 0..60 bar   |
| Maximum permissible accidental pressure | 150 bar   |
| Destruction pressure                    | 300 bar   |
| Materials in contact with fluid         | Stainless steel AISI 316L<br>Fluorocarbon FPM   |
| Operating position                      | Any position  |
| Protection type                         | Load short-circuit<br>Reverse polarity  |
| Electromagnetic compatibility           | Susceptibility to conducted disturbances conforming to EN/IEC 61000-4-6 criteria A - test level 30 V (f = 0.15...80 MHz)<br>Electrical fast transient/burst immunity test conforming to EN/IEC 61000-4-4 criteria A - test level 4 kV<br>Susceptibility to conducted transient disturbances conforming to ISO 7637-2 criteria B - test level level 3<br>Electrostatic discharge immunity test conforming to ISO 10605 criteria A - test level 15 kV air, 15 kV contact<br>Susceptibility to electromagnetic fields conforming to ISO 11452-4 criteria A - test level 100 mA (f = 20...400 MHz)<br>Susceptibility to electromagnetic fields conforming to ISO 11452-2 criteria A - test level 100 V/m (f = 200...2000 MHz) |
| [Uimp] rated impulse withstand voltage  | 0.5 kV  |
| Response time on output                 | <= 2 ms for 10...90 % of full scale   |
| Measurement accuracy                    | +/- 0.5 % of the measuring range  |
| Accuracy                                | 0.1 % of the measuring range  |
| Drift of the sensitivity                | +/- 0.02 % of measuring range/°K  |
| Drift of the zero point                 | +/- 0.02 % of measuring range/°K  |
| Repeat accuracy                         | +/- 0.5 % of the measuring range  |
| Mechanical durability                   | >= 10000000 cycles  |
| Product weight                          | 0.095 kg  |

|          |         |
|----------|---------|
| Diameter | 26 mm   |
| Length   | 38.1 mm |

## Environment

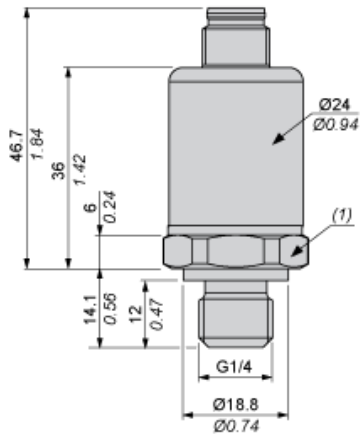
|                                       |  |
|---------------------------------------|--|
| Standards                             | ISO 14982<br>ECE 10R-5<br>EN/IEC 61326-2-3<br>EN 13309<br>ISO 13766<br>UL 61010-1  |
| Product certifications                | E2 (pending)<br>CE<br>CULus  |
| Ambient air temperature for operation | -40...100 °C   |
| Ambient air temperature for storage   | -50...100 °C   |
| Vibration resistance                  | 12 gn sinus (f = 20...520 Hz) conforming to ISO 16750-3 test 4<br>18 gn random (f = 10...2000 Hz) conforming to ISO 16750-3 test 4 |
| Shock resistance                      | 50 gn for 11 ms conforming to EN/IEC 60068-2-27  |
| IP degree of protection               | IP69K conforming to EN/IEC 60529<br>IP65 conforming to EN/IEC 60529<br>IP67 conforming to EN/IEC 60529                             |

## Offer Sustainability

|                                  |  |
|----------------------------------|--|
| Sustainable offer status         | Green Premium product  |
| RoHS (date code: YYWW)           | Compliant - since 1702 - Schneider Electric declaration of conformity <a href="#">Schneider Electric declaration of conformity</a> |
| REACH                            | Reference not containing SVHC above the threshold  |
| Product environmental profile    | Available  |
| Product end of life instructions | Need no specific recycling operations  |

Dimensions

mm  
in.



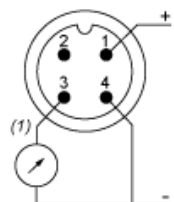
(1) SW24, tightening torque  $\square$  24 N-m / 212 lb-in

---

Connections and Schema

---

Connector Wiring



- (1) V out  
Pin Not connected  
2 :

---

Performance Curves

---

Curves

