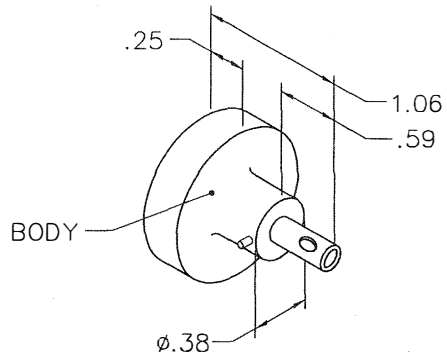
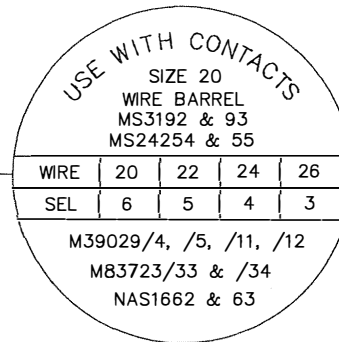
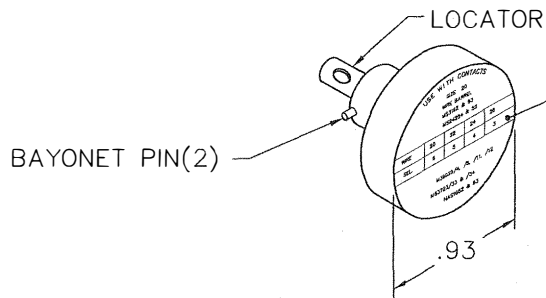


REVISIONS				
REV. SYM.	E.C.O. NUMBER	DESCRIPTION	BY DATE	APP'D DATE
2		ADDED CHART	JWJ 4/18/03	RRR 4/18/03
3		THRU WAS .800	TD 3/18/11	



**NOTE:** FOR USE WITH DANIELS CRIMP TOOLS  
ACCOMMODATING "86" SERIES POSITIONERS



LOCATOR	
HOLE DIMENSIONS	ADDITIONAL FEATURES
∅.081 ▽THRU	└┘ ∅.107 ▽.310

<b>RESTRICTED &amp; CONFIDENTIAL</b> CONFIDENTIAL PROPERTY OF DANIELS MANUFACTURING CORP. NOT TO BE DISCLOSED TO OTHERS, REPRODUCED OR USED FOR ANY OTHER PURPOSE, EXCEPT AS AUTHORIZED IN WRITING BY DANIELS MANUFACTURING. MUST BE RETURNED TO DANIELS MANUFACTURING CORP. ON COMPLETION OF ORDER OR OTHER PURPOSE FOR WHICH SENT.	MATERIAL	ITEM	PART NO.	QTY.	DESCRIPTION/REMARKS
	HEAT TREAT	DRN.	J. JOYCE	DATE	12/28/99
	FINISH	CHK'D.	RRR	DATE	12/28/99
		APP'D.		DATE	
DO NOT SCALE DRAWING		NOTE: THIS DRAWING IS AN OUTLINE DRAWING OF THE RESPECTIVE DMC PART NUMBER INDICATED. ACTUAL DMC PART NUMBER IS DRAWING NUMBER WITHOUT THE "-ENV" SUFFIX.		TITLE ENVELOPE DRAWING POSITIONER WHERE USED: (M22520/7-02)	
		SIZE	B	SCALE	NTS
		CAD P/N	86-1S-ENV		SHEET 1 OF 1
		POSTING	DWG. NO.	86-1S-ENV	
		REV.			3