



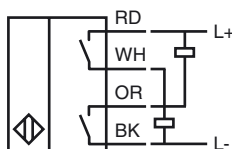
### Model Number

50FY41-6

### Features

- Hall Effect Sensor
- Sensing range 2.5 mm
- 4-wire DC

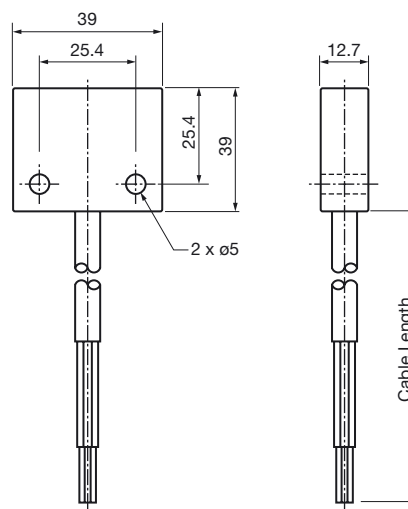
### Connection



### Accessories

52FY31

### Dimensions



### Technical Data

#### General specifications

Switching element function	NPN & PNP, NO
Rated operating distance	$s_n$ 2.5 mm @ 0 mm offset, 1.3 mm @ 4.4 mm offset, 0 mm @ 7.5 mm offset
Installation	not embeddable
Output polarity	DC

#### Nominal ratings

Operating voltage	$U_B$	10 ... 12 V
Short-circuit protection		NO
Voltage drop	$U_d$	7 V @ 10 K load, 12 V supply
Operating current	$I_L$	0.5 mA
No-load supply current	$I_0$	20 mA

#### Standard conformity

Standards	EN 60947-5-2
-----------	--------------

#### Ambient conditions

Ambient temperature	-40 ... 85 °C (-40 ... 185 °F)
---------------------	--------------------------------

#### Mechanical specifications

Connection type	cable PVC, 2 m
Core cross-section	0.34 mm <sup>2</sup>
Housing material	Polysulphone
Sensing face	Polysulphone
Protection degree	IP67
Note	UL approved for use with FYQLA1-140R-3