

Tous droits strictement réservés. Reproduction ou communication à des tiers interdite sous quelque forme que ce soit sans autorisation écrite du propriétaire. Propriété de © BERG ELECTRONICS. Droits de reproduction BERG ELECTRONICS INC.

All rights strictly reserved. Reproduction or issue to third parties in any form whatever is not permitted without written authority from the proprietor. Property of © BERG ELECTRONICS Copyright BERG ELECTRONICS INC.

**TERMINAL DATA FOR USE WITH MINI LATCH HOUSING**

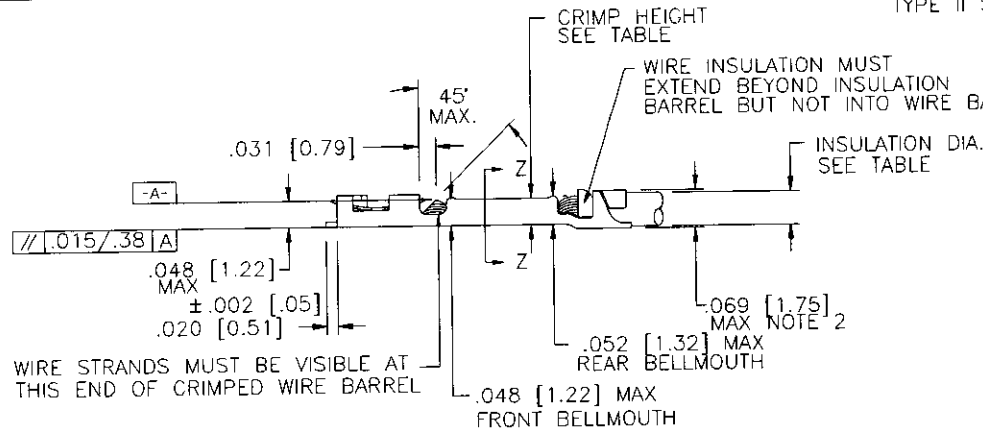
WIRE BARREL	CRIMP HEIGHT	INSULATION DIA.
LARGER THAN 18 AWG NOT RECOMMEND		
18-20	.042-.044/1.07-1.12	.042-.060/1.07-1.52
22-26	.032-.034/.81-.86	.036-.060/.91-1.52
27 AWG WIRE SEE NOTE 1	.028-.030/.71-.76	.028-.054/.71-1.37
28-32	.026-.028/.66-.71	.028-.054/.71-1.37
34-36	.022-.024/.56-.61	.020-.040/.51-1.02

SEAM MUST BE CLOSED  
WIRE STRANDS MUST  
NOT BE VISIBLE



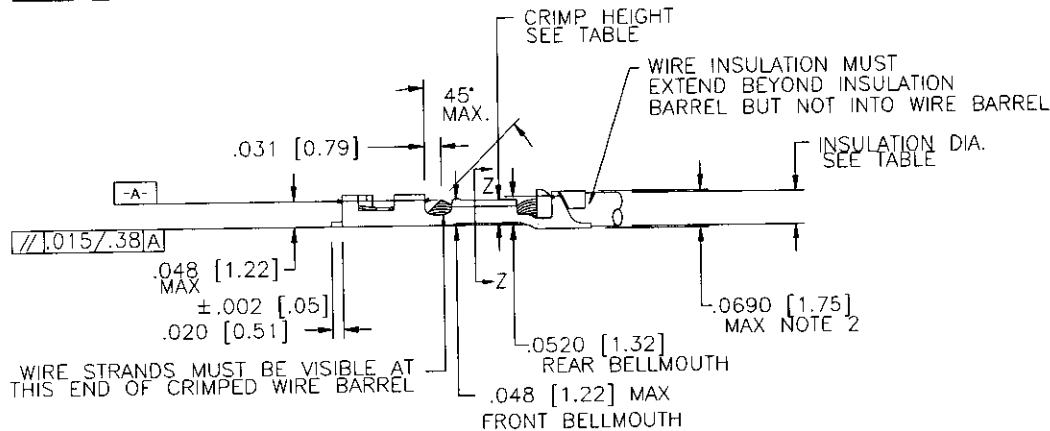
SECTION Z-Z  
ALL TYPES  
TYPE II SHOWN

**PREFERRED TYPE II & III**  
INFORMATION SHOWN APPLIES TO  
PRODUCT OFF TYPE II OR TYPE III  
ANVIL.

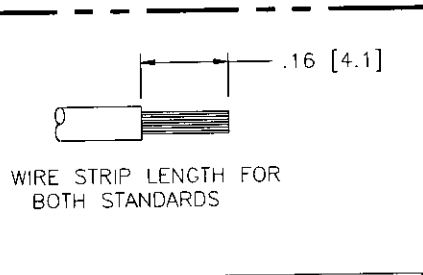


NOTE:

- DATA SHOWN FOR 27AWG WIRE IS FOR 7 STRAND WIRE USING 28-32 AWG TERMINALS AND TOOLING
- RECOMMENDED INSULATION CRIMP HEIGHT IS EQUAL TO INSULATION DIAMETER PLUS 0.010" [0.25]



**OPTIONAL TYPE I**  
INFORMATION SHOWN APPLIES TO  
PRODUCT OFF RADIUS TYPE ANVIL.



mat'l. code				tolerances unless otherwise specified		CUSTOMER COPY	<b>BERG ELECTRONICS</b>	
ltr	ecn no	dr	date	linear	.XX ± .01	projection	title	
N	V10280	AR	2/7/91		.XXX ± .005		LATCH HOUSING	
P	V12332	JWB	8/23/91	angles	XXXX ± .0020		MINI PV CRIMP/APPL. DATA	
R	V13061	MRC	10/29/91		0° ± 2°		product family	
S	V50684	LSS	7/14/95	enrg	D.SHAFFER 2/14/90		code	
				chr	H.SUNDY 2/14/90		size	
				appd	H.SUNDY 2/14/90		dwg no	
sheet index	revision sheet	S	1			INCH/MM	product family	
						scale	size	
						3:1	code	
							A	
							TA-75	
							sheet	
							1 of 1	