

Tous droits réservés. Reproduction ou communication à des tiers interdite sans autorisation écrite de l'éditeur. Propriété de FCI Connect S.A. Tous droits réservés. All rights reserved. Reproduction or communication to third parties is prohibited without written authorization from the publisher. Copyright © FCI Connect S.A.



All rights strictly reserved. Reproduction or issue to third parties is any form without written authorization from the publisher. Propriété de FCI Connect S.A. Copyright © FCI Connect S.A.

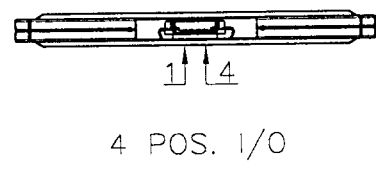
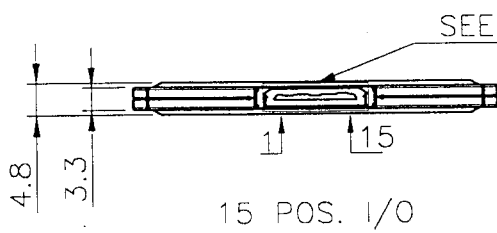
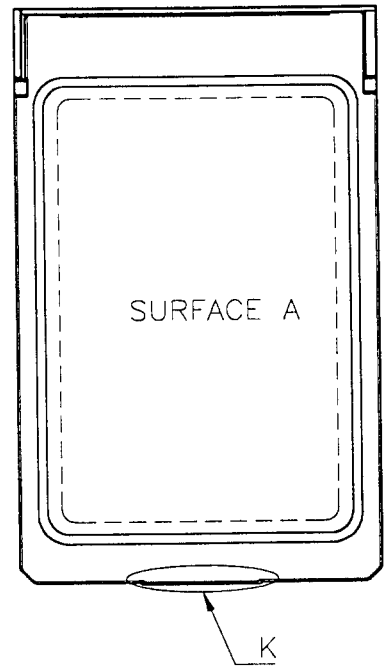
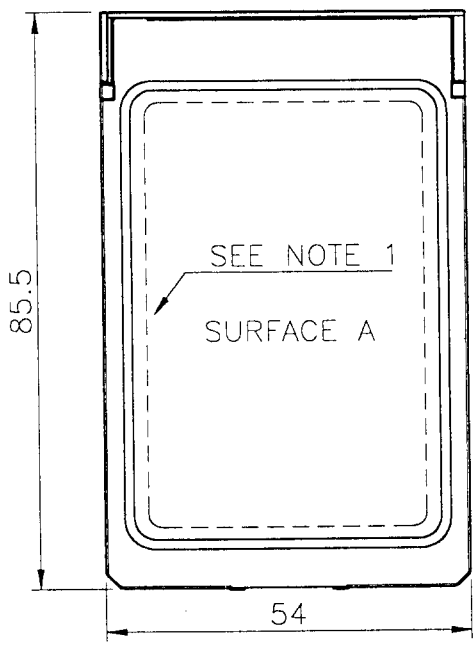
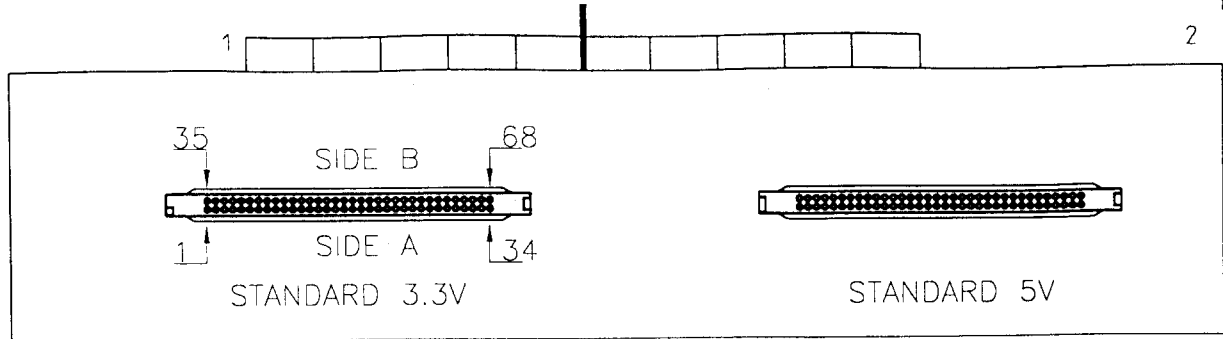
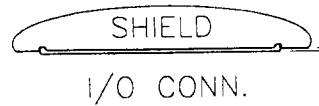


TABLE 1 POLARIZATION OPTIONS	
	LAN CLOSED SYSTEM
	LAN OPEN SYSTEM



NOTES:  
1. OPTIONAL LABEL RECESS

DETAIL K  
SCALE 2:1

mat'l. code				tolerances unless otherwise specified				CUSTOMER COPY		<b>ELECTRONICS</b> www.fciconnect.com				
l/r	ecn no	dr	date	linear					projection	title				
A	F90342	DLE	99.05.27							ROCARD TYPE II ONE I/O CONNECTOR				
				angles					mm	product family	PCMCIA	code		
				dr	D LEGRAND	98.08.19					size	dwg no	213	
				enrg	F HAUTIER	98.08.19					A4	TA 715	sheet	1 of 9
				chr	D LEGRAND	98.08.19								
				appd	F HAUTIER	99.05.17								
sheet	revision	A	A	A	A	A	A	A	A					
index	sheet	1	2	3	4	5	6	7	8					

All rights reserved. Reproduction or use in any form without the prior written permission of FCI Electronics S.A. is prohibited. Copyright © FCI Electronics S.A.

Tous droits réservés. Toute réimpression ou utilisation sans autorisation écrite de FCI Electronics S.A. est formellement interdite.

FCI

IF RED

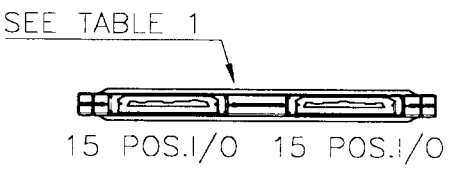
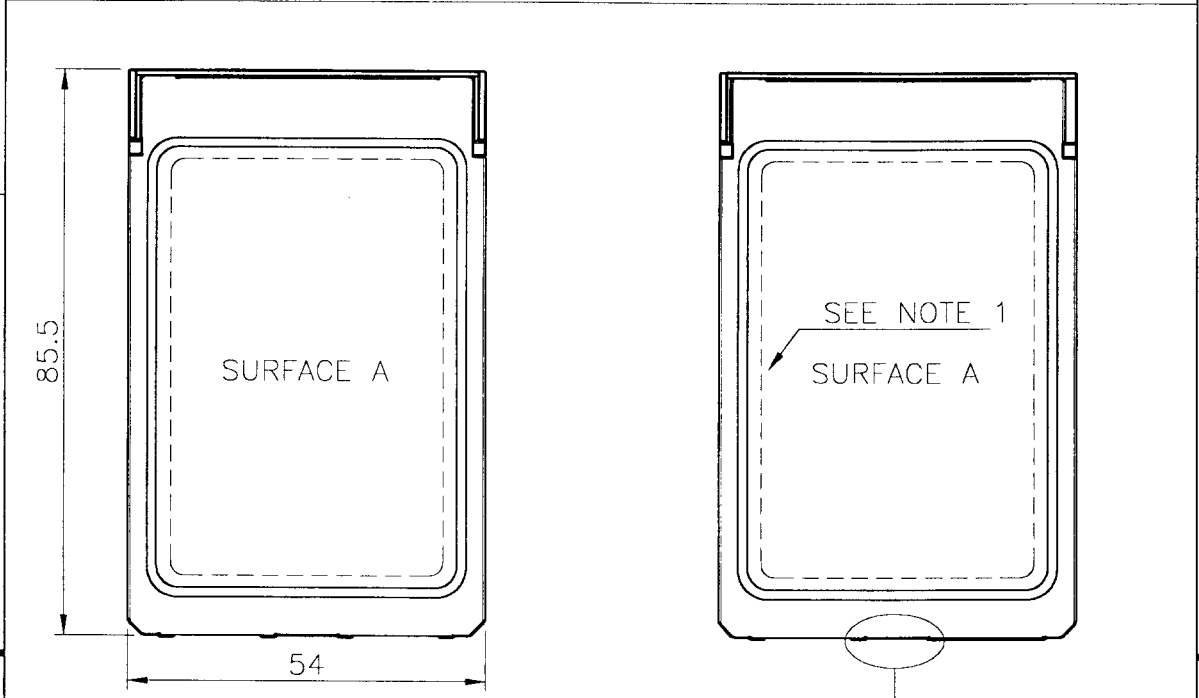
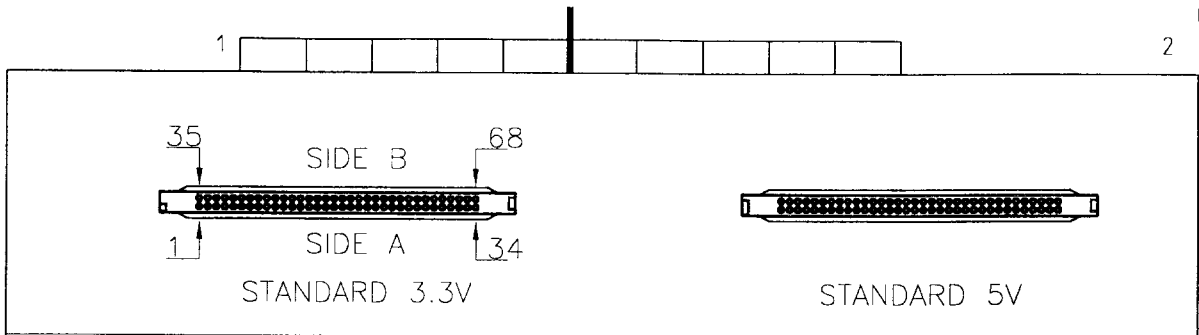
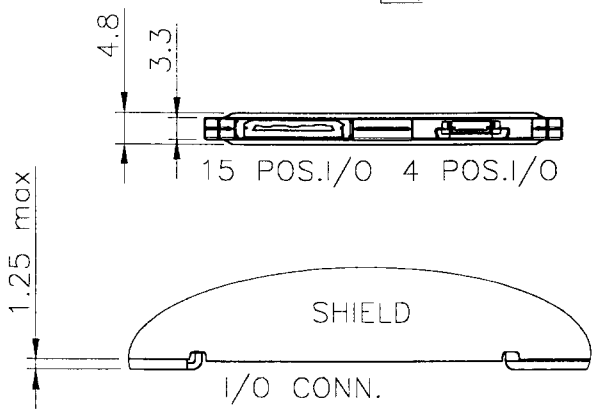


TABLE 1 POLARIZATION OPTIONS	
	LAN CLOSED SYSTEM
	LAN OPEN SYSTEM



NOTES:  
1. OPTIONAL LABEL RECESS

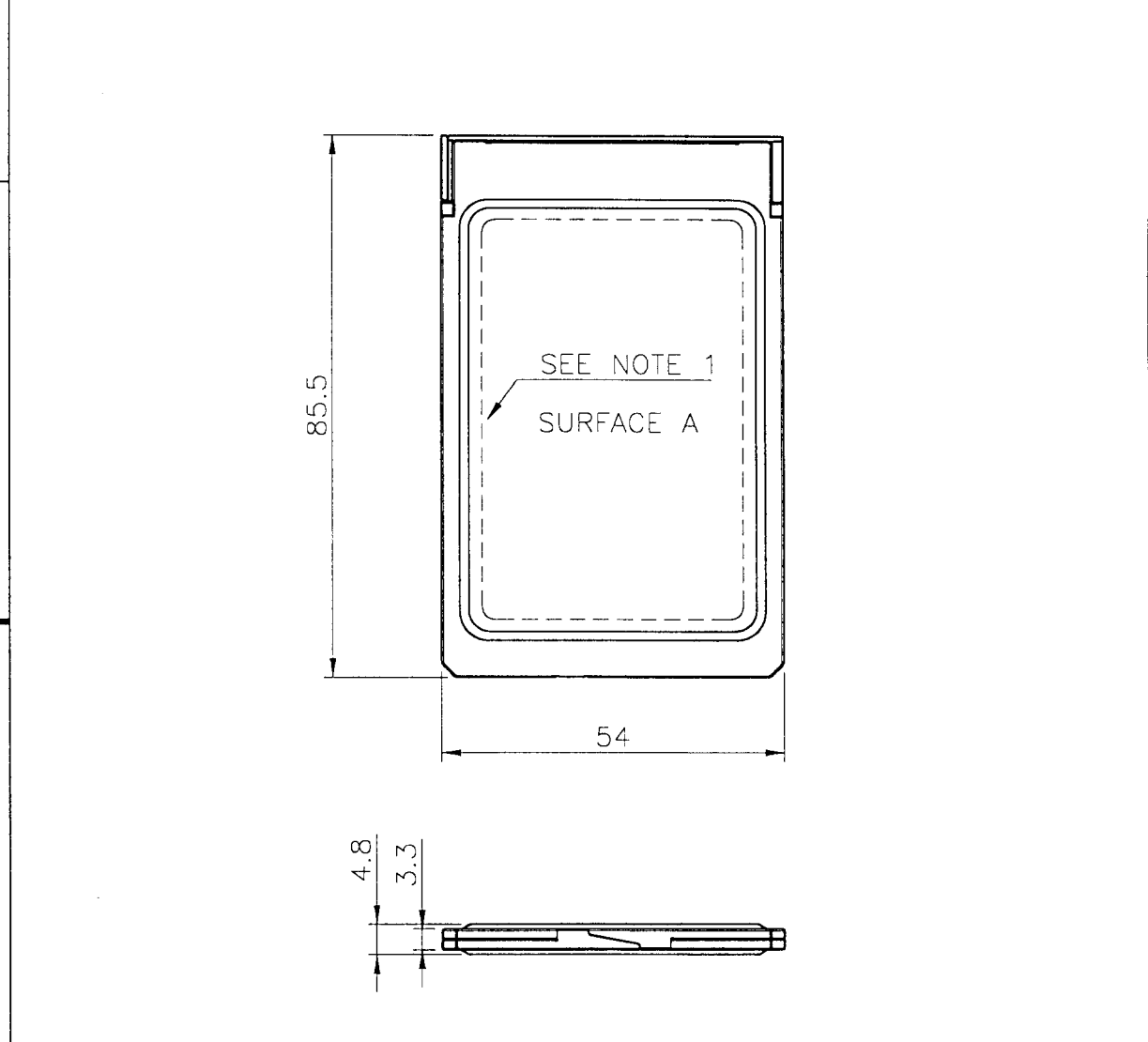
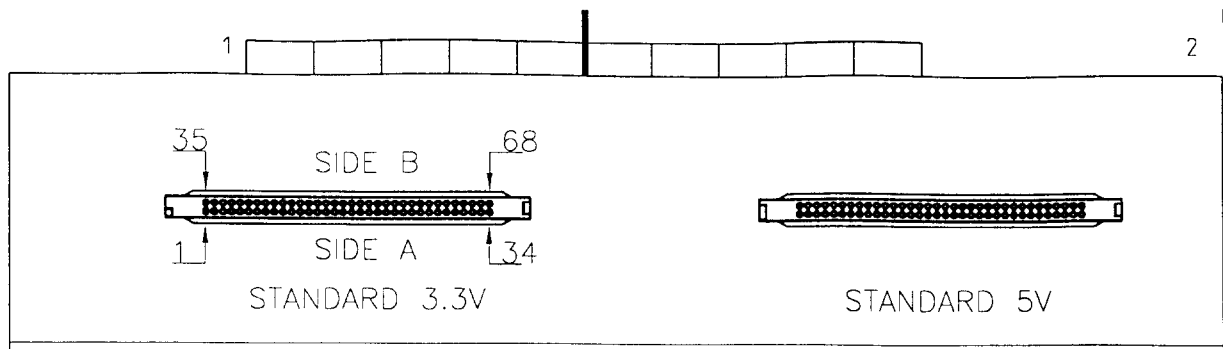
DETAIL K  
SCALE 2:1

mat'l. code				tolerances unless otherwise specified			CUSTOMER COPY		<b>ELECTRONICS</b> www.fciconnect.com		
lir	ecn no	dr	date	linear	projection			title			
A	F90342	DLE	99.05.27					ROCARD TYPE II			
				angles	mm			product family			
								PCMCIA			
				dr	D LEGRAND	98.08.19	scale		code		
				enfr	F HAUTIER	98.08.19			213		
				chr	D LEGRAND	98.08.19	1:1		sheet		
				appd	F HAUTIER	99.05.17			2 of -		
sheet index	revision sheet										

Tous droits réservés. Reproduction ou communication à des tiers interdite sans autorisation écrite de l'émetteur.  
 All rights reserved. Reproduction or communication to third parties is prohibited without authority from the issuer.  
 Draft in preparation (D) Revision 5, A



All rights strictly reserved. Reproduction or issue to third parties is any form without authority from the issuer.  
 All rights reserved. Reproduction or issue to third parties is any form without authority from the issuer.  
 Draft in preparation (D) Revision 5, A



NOTES:  
 1. OPTIONAL LABEL RECESS

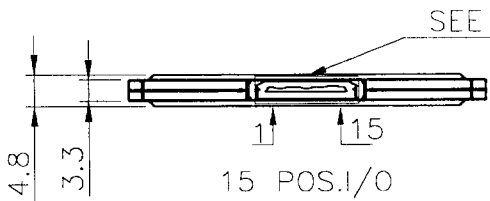
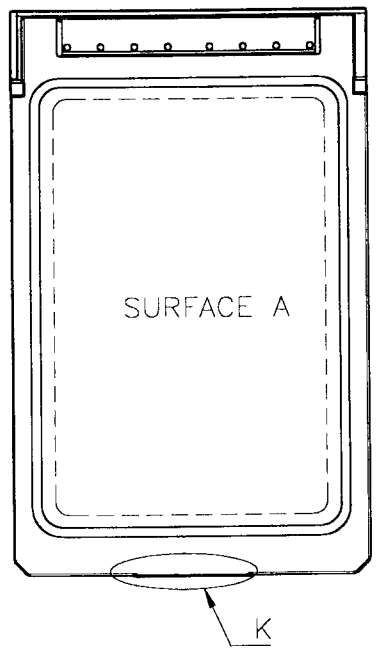
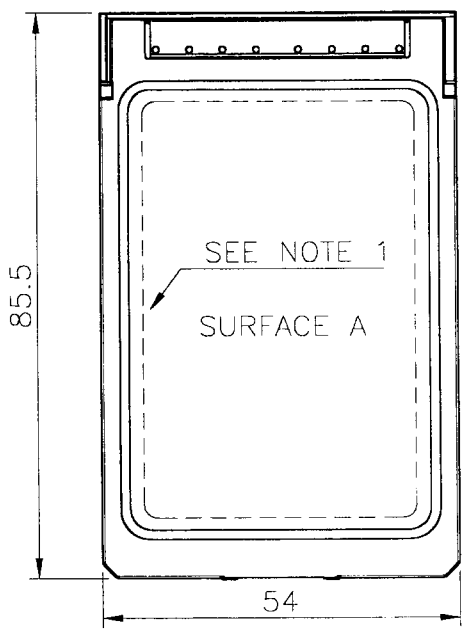
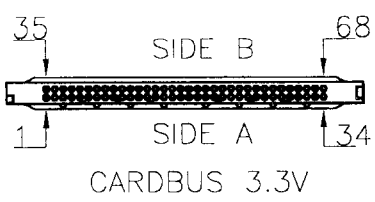
mat'l. code				tolerances unless otherwise specified		CUSTOMER COPY		<b>ELECTRONICS</b> <a href="http://www.fciconnect.com">www.fciconnect.com</a>	
ltr	ecn no	dr	date	linear		projection	title		
A	F90342	DLE	99.05.27				ROCARD TYPE II CLOSED END		
				angles		mm	product family		code
				dr	D LEGRAND		98.08.19	PCMCIA	
				enr	F HAUTIER	98.08.19	size		sheet
				chr	D LEGRAND	98.08.19	A4		3 of -
				appd	F HAUTIER	99.05.17	scale		
							1:1		
sheet index		revision sheet							

Tous droits réservés. Toute réimpression ou utilisation non autorisée sans la permission écrite de la société FCI Electronics S.A. est formellement interdite.



All rights reserved. Reproduction or use in any form without the written permission of FCI Electronics S.A. is expressly prohibited.

1 2



SEE TABLE 1

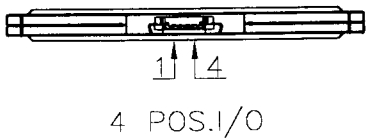


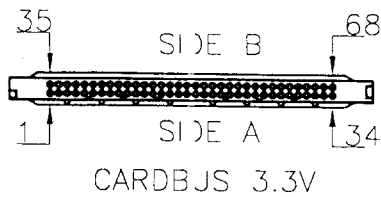
TABLE 1 POLARIZATION OPTIONS	
	LAN CLOSED SYSTEM
	LAN OPEN SYSTEM



NOTES:  
1. OPTIONAL LABEL RECESS

DETAIL K  
SCALE 2:1

mat'l code				tolerances unless otherwise specified				CUSTOMER COPY		<b>ELECTRONICS</b> www.fciconnect.com	
lfr	ecn no	dr	date	linear				projection	title <b>ROCARD TYPE II</b>		
A	F90342	DLE	99.05.27						CardBus W/ I/O Conn.		
				angles				mm	product family		code
				dr	D LEGRAND	98.08.19	A4		PCMCIA	213	
				enr	F HAUTIER	98.08.19	scale		size		sheet
				chr	D LEGRAND	98.08.19	1:1		dwg no		4 of -
				app	F HAUTIER	99.05.17	TA 715				
sheet index	revision sheet										



Tous droits réservés. Reproduction ou communication sans autorisation écrite de FCI Electronics S.A. est formellement interdite.  
 All rights reserved. Reproduction or communication without written permission of FCI Electronics S.A. is expressly prohibited.

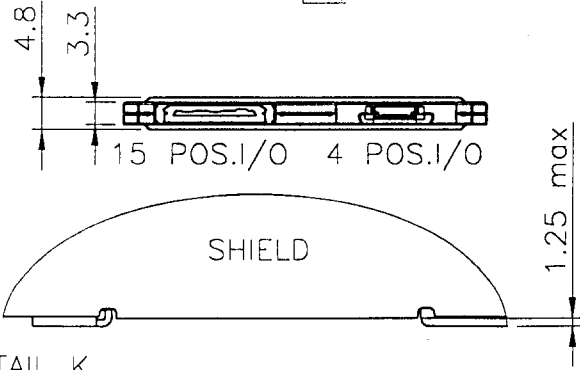
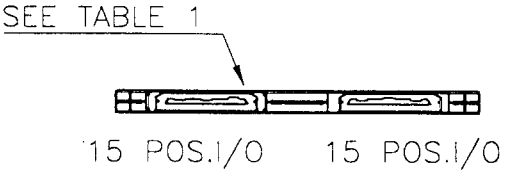
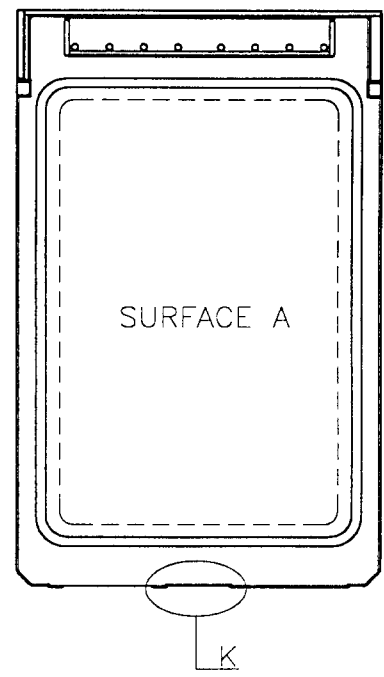
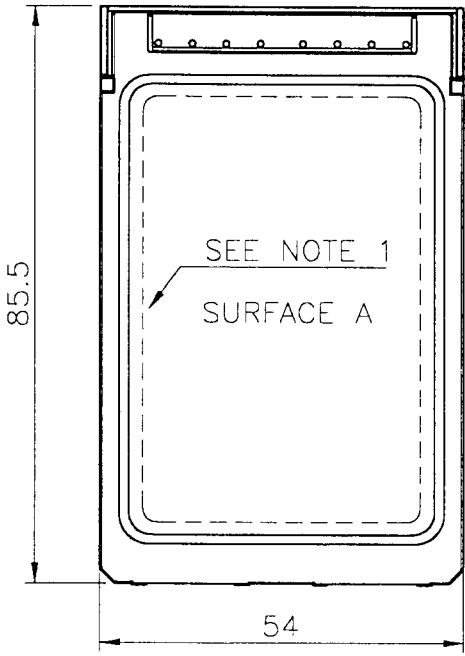


TABLE 1 POLARIZATION OPTIONS	
	LAN CLOSED SYSTEM
	LAN OPEN SYSTEM

NOTES:  
1. OPTIONAL LABEL RECESS

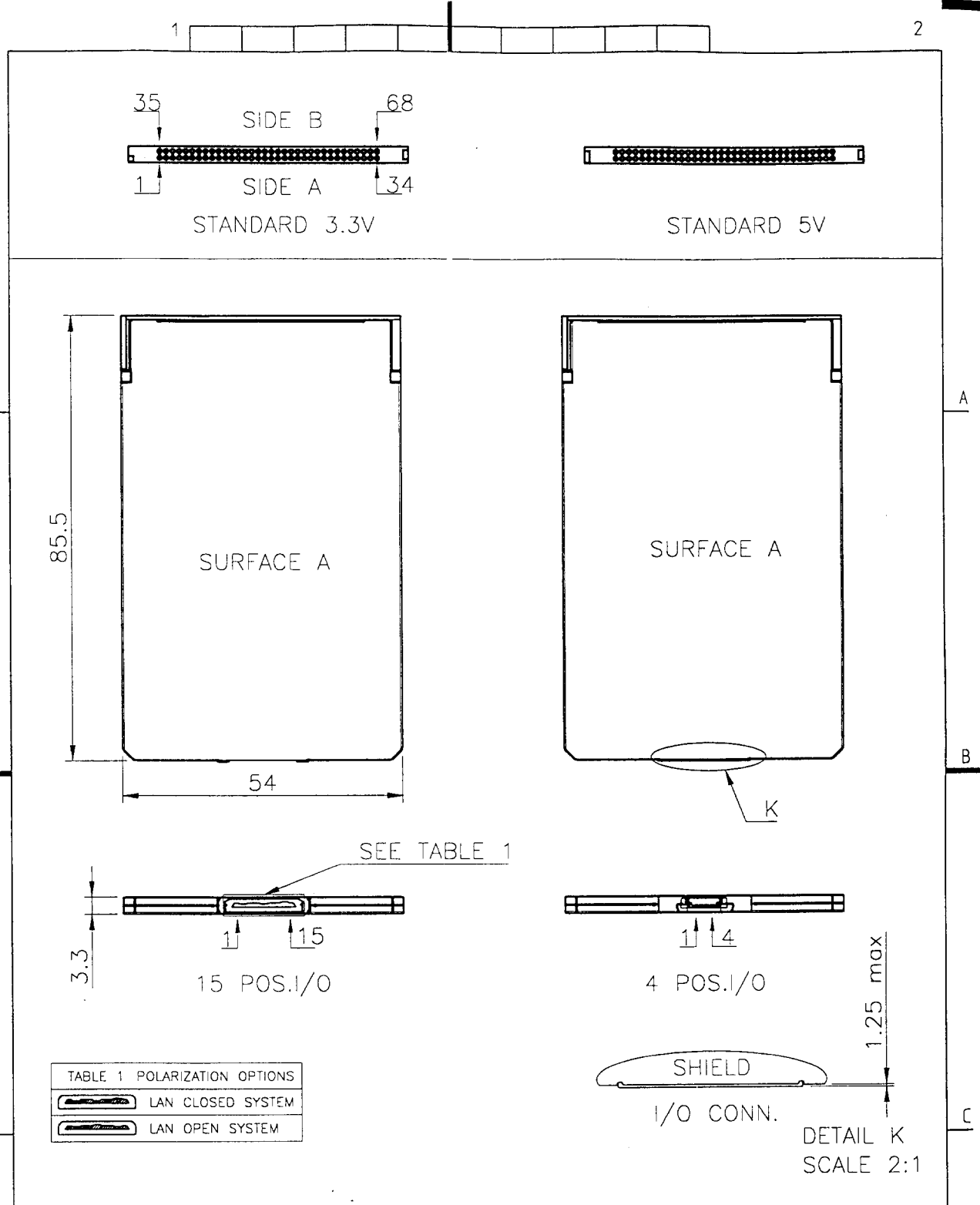
DETAIL K SCALE 2:1 I/O connectors may exceed cardshield.

All rights strictly reserved. Reproduction or use in any form without written permission from the proprietor, FCI Electronics S.A. is expressly prohibited.

mat'l. code		tolerances unless otherwise specified			CUSTOMER COPY		<b>ELECTRONICS</b> www.fciconnect.com		
l/r	ecn no	dr	date	linear	projection	title			
A	F90342	DLE	99.05.31			ROCARD Type II			
				angles	mm	CardBus W/ 2 I/OConn.			
				dr		D LEGRAND	98.08.19	product family	PCMCIA
				engr	F HAUTIER	98.08.19	size	dwg no	213
				chr	D LEGRAND	98.08.19	scale	A4	TA 715
				appd	F HAUTIER	99.05.17	1:1		sheet
sheet	revision								5 of -
index	sheet								

Tous droits réservés. Reproduction ou communication à des fins autres que celles autorisées par le titulaire de la propriété intellectuelle sont formellement interdites.

All rights reserved. Reproduction or use in other parts in any form without the prior written consent of the proprietor is expressly prohibited.



	LAN CLOSED SYSTEM
	LAN OPEN SYSTEM

mat'l. code				tolerances unless otherwise specified				CUSTOMER COPY		<b>ELECTRONICS</b> <a href="http://www.fciconnect.com">www.fciconnect.com</a>	
lir	ech no	dr	date	linear				projection	title		
A	F90342	DLE	99.05.31						ROCARD Type I		
				angles				 mm scale 1:1	product family		code
				dr	D LEGRAND	98.08.19	PCMCIA		213		
				enr	F HAUTIER	98.08.19	size	dwg no		sheet	
				chr	D LEGRAND	98.08.19	A4	TA 715		6 of -	
				appd	F HAUTIER	99.05.17					
sheet index		revision sheet									

Tous droits réservés / reserved. Reproduction ou communication à des fins autres que celles autorisées par le titulaire des droits de reproduction FCI Electronics S.A.



All rights strictly reserved. Reproduction or reuse to third parties in any form without the prior written consent of the proprietor FCI Electronics S.A.

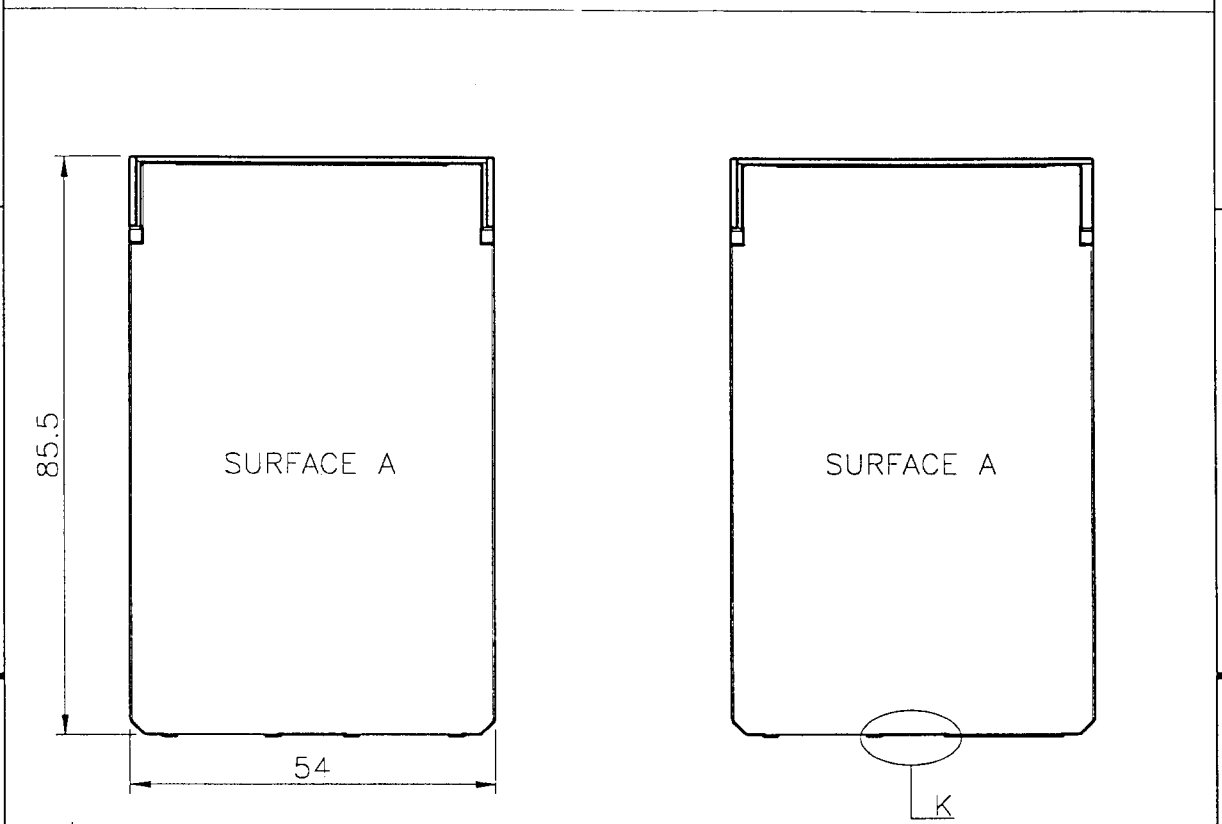
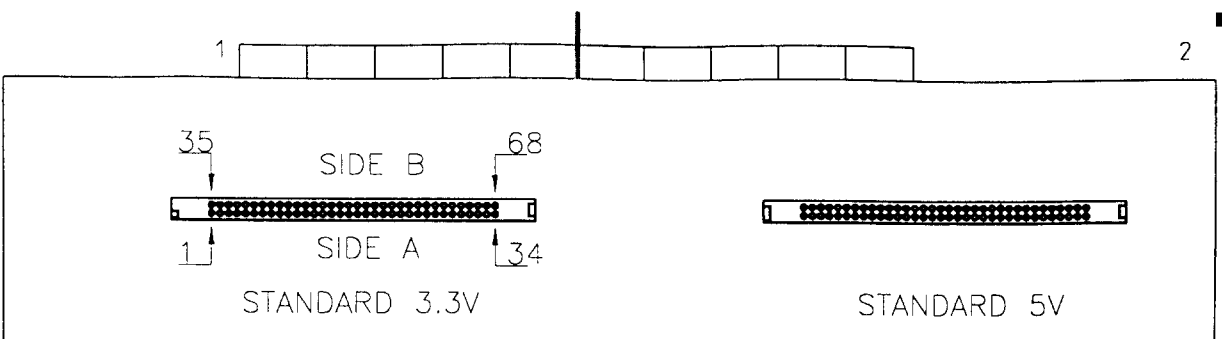


TABLE 1 POLARIZATION OPTIONS	
	LAN CLOSED SYSTEM
	LAN OPEN SYSTEM

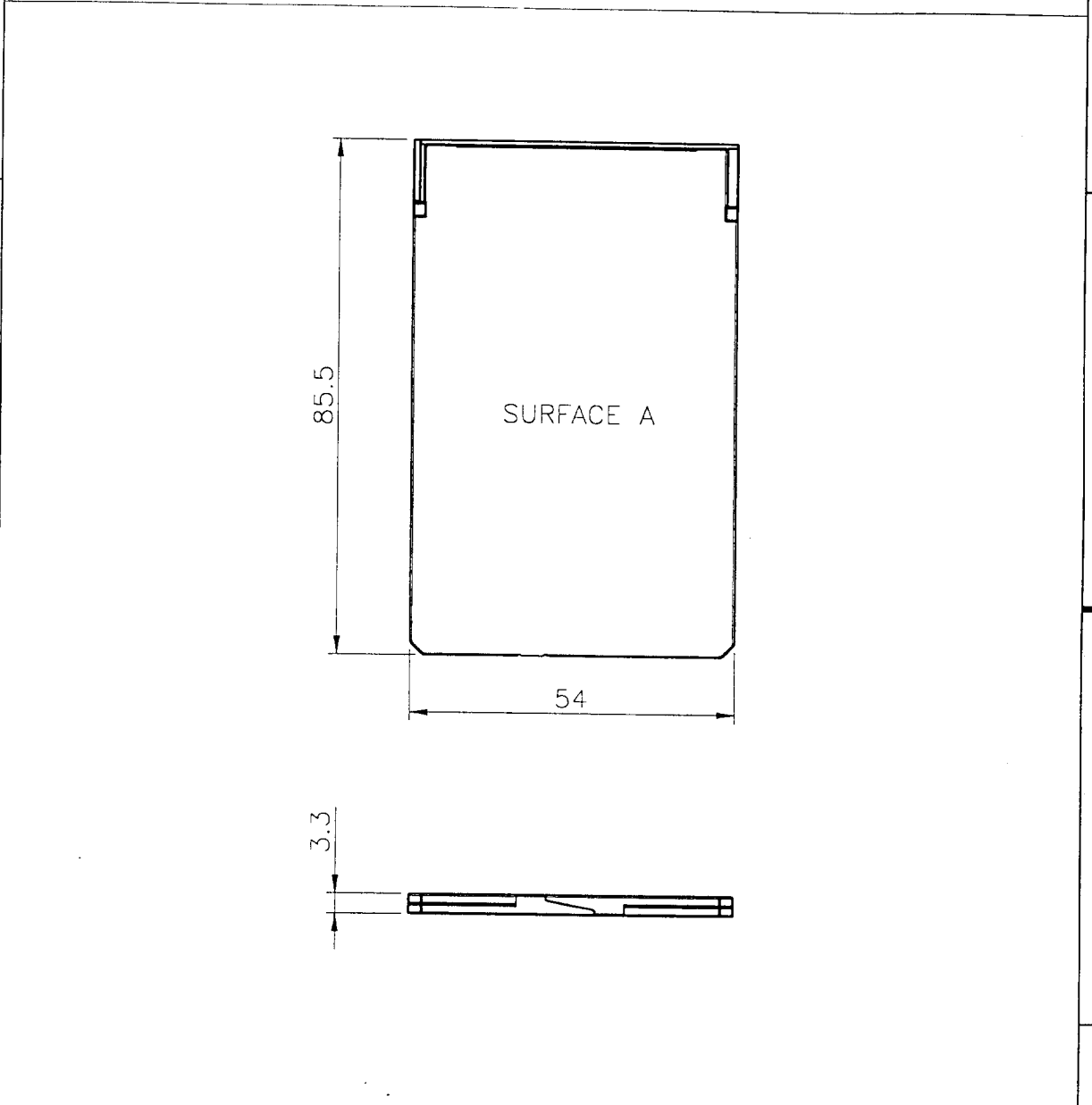
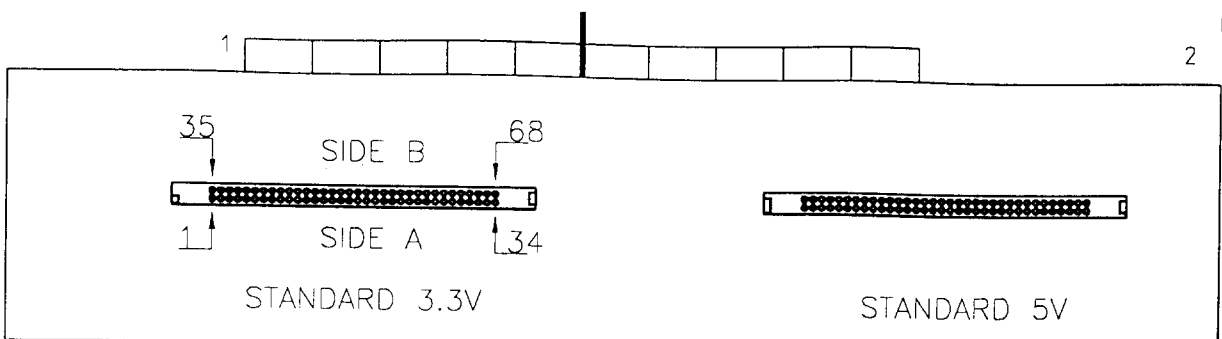
DETAIL K  
 SCALE 2:1  
 I/O connectors may exceed cardshield.

mat'l. code		tolerances unless otherwise specified			CUSTOMER COPY		<b>ELECTRONICS</b> www.fciconnect.com		
lir	ecn no	dr	date	linear	projection	title <b>ROCARD Type I</b> <b>TWO I/O CONNECTORS</b>			
A	F90342	DLE	99.05.31					product family	PCMCIA
				angles	 scale 1:1	size	dwg no	213	
				dr		D LEGRAND	98.08.19	A4 <b>TA 715</b>	sheet
				engr		F HAUTIER	98.08.19		7 of -
				chr		D LEGRAND	98.08.19		
				appd	F HAUTIER	99.05.17			
sheet index	revision sheet								

Tous droits réservés. Reproduction ou utilisation sans autorisation est formellement interdite.  
 All rights reserved. Reproduction or use in any form without authorization from the proprietor is expressly prohibited.  
 Propriété de FCI Electronics S.A. - All rights reserved. Toute réimpression sans autorisation est formellement interdite.  
 © FCI Electronics S.A.



All rights reserved. Reproduction or use in any form without authorization from the proprietor is expressly prohibited.  
 Property of FCI Electronics S.A. - All rights reserved. Toute réimpression sans autorisation est formellement interdite.  
 © FCI Electronics S.A.



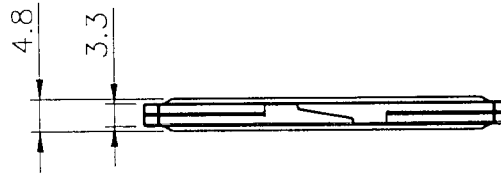
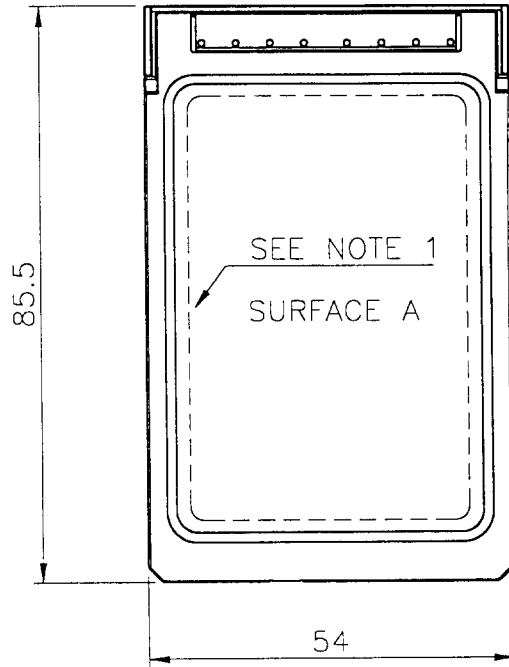
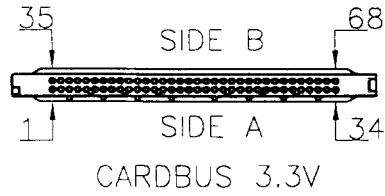
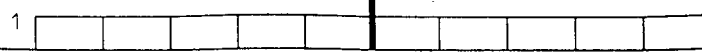
mat'l. code		tolerances unless otherwise specified			CUSTOMER COPY	<b>ELECTRONICS</b> <a href="http://www.fciconnect.com">www.fciconnect.com</a>			
ltr	ecn no	dr	date	linear			projection		
A	F90342	DLE	99.05.31	angles		title <b>ROCARD Type I</b> Closed end			
				dr	D LEGRAND	98.08.19	product family	PCMCIA	code
				engr	F HAUTIER	98.08.19	size	dwg no	213
				chr	D LEGRAND	98.08.19	scale	A4	TA 715
				appd	F HAUTIER	99.05.17	1:1		sheet
sheet index	revision sheet								8 of -



Tous droits réservés. Reproduction ou communication à des tiers sans autorisation écrite de l'auteur. Propriété de FCI Connect S.A. Toute réimpression sans autorisation écrite de l'auteur est formellement interdite.



All rights strictly reserved. Reproduction or issue to third parties is not permitted without written authority from the Proprietor. Property of FCI Connect S.A. Copyright © Connect S.A.



NOTES:  
1. OPTIONAL LABEL RECESS

mat'l. code				tolerances unless otherwise specified		CUSTOMER COPY		<b>ELECTRONICS</b> www.fciconnect.com	
lfr	ecn no	dr	date	linear		projection	title		
A	F90342	DLE	99.05.31				ROCARD Type II		
				angles			CardBus W/Closed end		
				dr	D LEGRAND	98.08.19	product family	PCMCIA	code
				engr	F HAUTIER	98.08.19	size	dwg no	213
				chr	D LEGRAND	98.08.19	A4	TA 715	sheet
				appd	F HAUTIER	99.05.17			9 of -
sheet index	revision sheet								