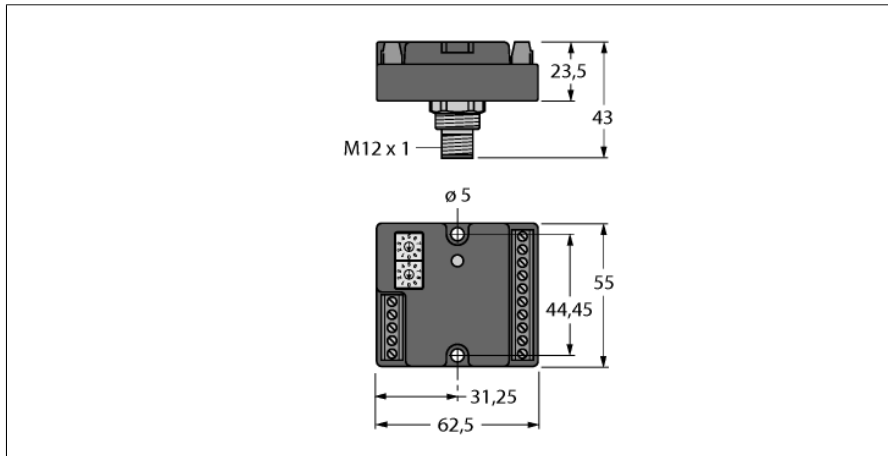


Compact I/O station for DeviceNet
4 digital inputs, 4 universal digital channels
FDN20-4S-4XSG-E



- DeviceNet™ slave
- Screw-clamp terminal block, 5-pin, for DeviceNet™ fieldbus connection
- Rotary coding switch for setting the DeviceNet™ address
- M12 built-in flange for easy mounting and connection to DeviceNet™
- 4 digital inputs
- 4 universal digital channels, DI / DO
- 24 VDC, PNP
- Output current: 0.5 A
- Degree of protection IP20

Type designation	FDN20-4S-4XSG-E
Ident-No.	6611343
Ident-No (TUSA)	F0178
Number of channels	8
internal power consumption	<50 mA plus I/O supply
Voltage supply via DeviceNet	24 VDC
Supply voltage	24 VDC
Admissible range field supply	11...26 VDC
Power dissipation, typical	≤ 1.2 W
Voltage supply connection	Screw terminals or M12
Inputs	
Number of channels	8
Input voltage	11...26 VDC
Low level signal voltage	< 4 V
High level signal voltage	8...24 V
Low level signal current	< 0.5 mA
High level signal current	1...3.4 mA
Max. input current	Total: 700 mA
Number of channels	4
Output voltage	18...26 VDC
Output current per channel	0.5 A (from DeviceNet™)
Switching frequency	≤ 100 Hz
Short-circuit protection	yes
Fieldbus transmission rate	125/250/500 kbps
Fieldbus address range	0...63
Fieldbus addressing	2 decimally coded rotary switches
Dimensions (W x L x H)	55 x 62.5 x 23.5mm
Housing material	Nylon
Operating temperature	-40...70°C
Protection class	IP20
Approvals	CE, UL
UL conditions	pol. deg.2; surr. air temp. max. 40°C; cl.2 ps req.; tight. torque max. 0.56-0.79 Nm

Compact I/O station for DeviceNet
4 digital inputs, 4 universal digital channels
FDN20-4S-4XSG-E



Industrial
Automation

Terminal assignment

	<p>DeviceNet™ and Power Supply Fieldbus cable (example): CBC5-572-2M (ident no. 6606065) or RKC5701-5M (ident no. 6931035)</p>	<p>1 2 3 4 5</p> <p>1 = V + 2 = CAN_H 3 = SHD 4 = CAN_L 5 = V -</p>
	<p>I/O Channels</p>	<p>1 2 3 4 5 6 7 8 9 10</p> <p>1 = V - 6 = I4 2 = I/O 0 7 = I5 3 = I/O 1 8 = I6 4 = I/O 2 9 = I7 5 = I/O 3 10 = V +</p>
	<p>DeviceNet™ and Power Supply Rear M12 connector for direct feeding through the cabinet wall. Fieldbus cable (example): RSC-RKC5701-2M (ident no. 6604833) or RSC-WKC5701-1M (ident no. 6931039)</p>	<p>1 = Shield 2 = RD (V +) 3 = BK (V -) 4 = WH (CAN H) 5 = BU (CAN L)</p>