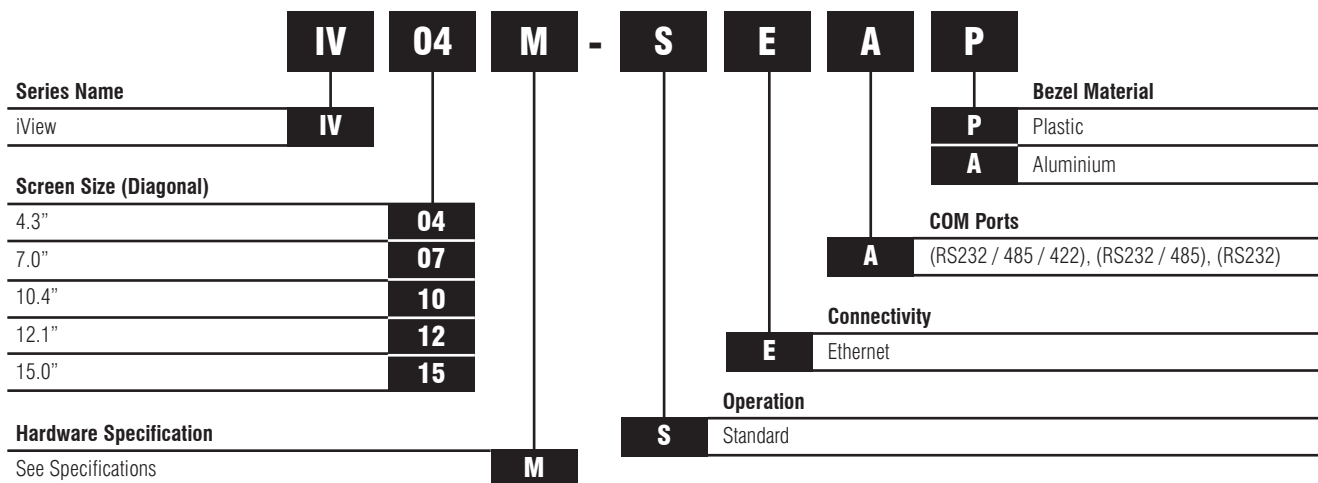


# iView HMI - M Series

- In-built FTP functionality allowing remote download
- Three Serial Ports Inc. 1 x Screwless terminal
- In-built Ethernet Port for remote connectivity
- 2 x USB Ports (1 x USB A, 1 x USB B Ports)
- Remote Monitoring using VNC (Web) Server
- MicroSD for Data Logging
- In-built Offline Software Simulation
- Aluminium bezel versions available
- IP66 Rated



## Options & Ordering Codes



## Specifications

Ordering Codes	IV04M-SEAP	IV07M-SEAP	IV10M-SEAP	IV12M-SEAA	IV15M-SEAA
Size	4.3"	7.0"	10.4"	12.1"	15.0"
Resolution / Colours	480 x 272 / 65K	800 x 480 / 65K	800 x 600 / 65K	800 x 600 / 65K	1024 x 768 / 65K
System Memory	64 MB	64 MB	64 MB	64 MB	64 MB
In-built Storage Memory	128 MB	128 MB	128 MB	128 MB	128 MB
Battery Backup Memory	128 KB	128 KB	128 KB	128 MB	128 KB
COM 1	RS 232/422/485	RS 232/422/485	RS 232/422/485	RS 232/422/485	RS 232/422/485
COM 2	RS 232/485	RS 232/485	RS 232/485	RS 232/485	RS 232/485
COM 3	RS 232	RS 232	RS 232	RS 232	RS 232
USB	2	2	2	2	2
Real Time Clock	Built In	Built In	Built In	Built In	Built In
MicroSD Card	Up To 16 GB	Up To 16 GB	Up To 16 GB	Up To 16 GB	Up To 16 GB
Certification	UL, CE, cUL, FCC	UL, CE, cUL, FCC	UL, CE, cUL, FCC	CE*, FCC	UL, CE, cUL, FCC
Ratings	IP66	IP66	IP66	IP66	IP66
Voltage Ratings	24VDC ±10% Isolated	24VDC ±10% Isolated	24VDC ±10% Isolated	24VDC ±10% Isolated	24VDC ±10% Isolated
Power Ratings	10 W	20 W	20 W	20 W	20 W
Operating Temperature	-10°C to +60°C	-10°C to +60°C	-10°C to +60°C	-10°C to +60°C	-10°C to +60°C
Net Weight	0.35kg	0.6kg	1.2kg	1.9kg	2.68kg

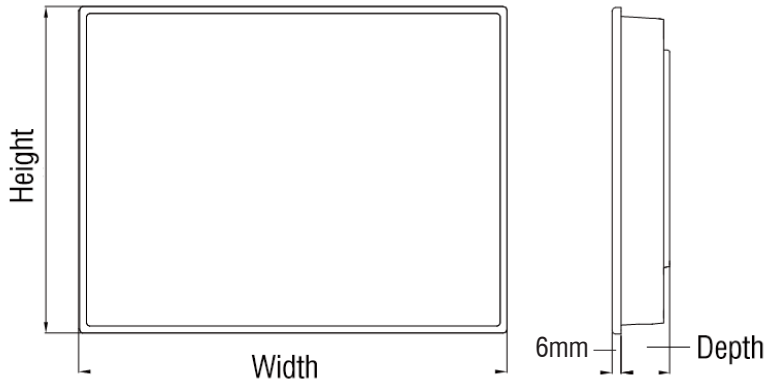
\* Pending UL, cUL approvals

# iView HMI - M Series

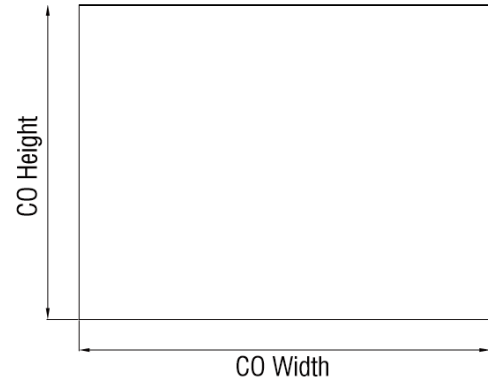
## Accessories

Ordering Codes	MSD-16GB	iV-USB
Description	16 GB MicroSD Card	USB Programming Cable

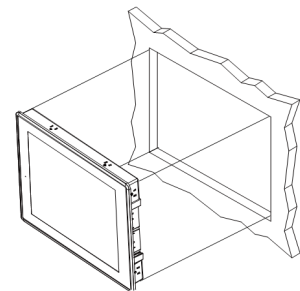
## Dimensions



## Cut Out Dimensions

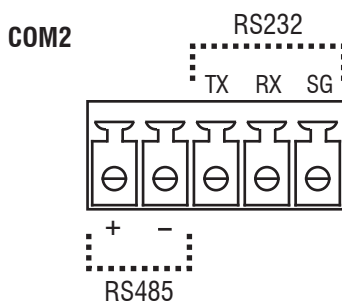


Model	Width	Height	Depth	CO Width	CO Height
IV04M-SEAP	130mm	106.2mm	39mm	119mm	93mm
IV07M-SEAP	188mm	143.3mm	36mm	175mm	132.5mm
IV10M-SEAP	270.1mm	212.1mm	42.5mm	259.5mm	201.5mm
IV12M-SEAA	335.4mm	245.9mm	54.8mm	301.5mm	228mm
IV15M-SEAA	399.1mm	297.6mm	55mm	384.5mm	283mm

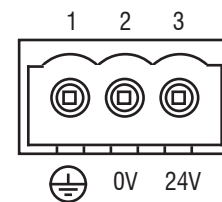


## Connections

B-Type COM1 / COM3	
Pin	Description
1	RS422 TXD+/RS485+
2	RS232 RXD(COM1)
3	RS232 TXD(COM1)
4	RS422 RXD+
5	SG
6	RS422 TXD-/RS485-
7	RS232 TXD(COM3)
8	RS232 RXD(COM3)
9	RS422 RXD-



## Power Supply



NOTE: Do not open the rear cover of the panel when power is applied