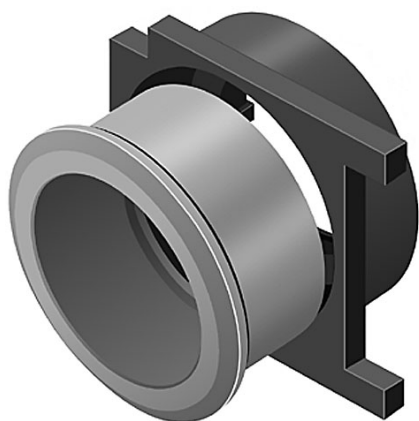


EAO – Your Expert Partner for Human Machine Interfaces

61-9932.10 - Front bezel set for keylock switch, flush design

61-9932.10 - Front bezel set for keylock switch, flush design



Attention: The preview is based on a sample product. This can differ from your current configuration.

Mounting

Mounting cut-out Ø 22,3 mm
Design flush

Front

Front dimension Ø 25 mm
Front bezel material Plastic
Front bezel colour black
Front shape round

Other Attributes

Weight 0,008 kg

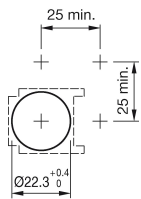
Actuator

Housing colour black
Housing material Plastic

EAO – Your Expert Partner for Human Machine Interfaces

61-9932.10 - Front bezel set for keylock switch, flush design

Mounting cut-outs



Additional information

Pitch of the front plate mounting holes must agree with the printed circuit board holes $\varnothing 3.5$

For the round front bezel sets the anti-twist ring is part of the sales-package